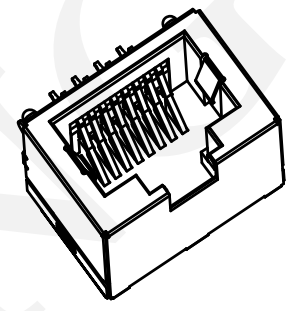
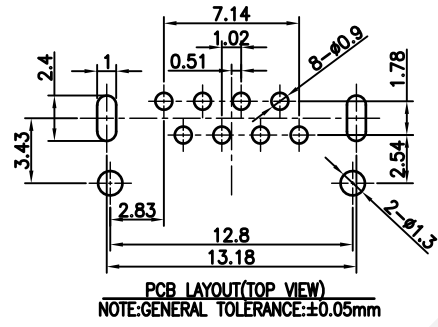
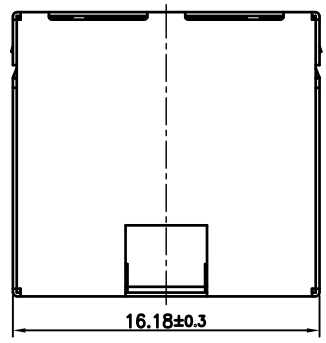
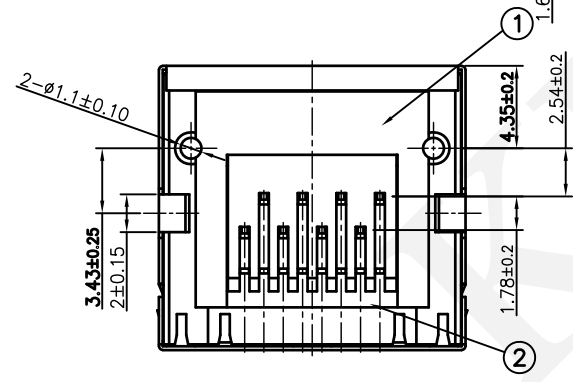
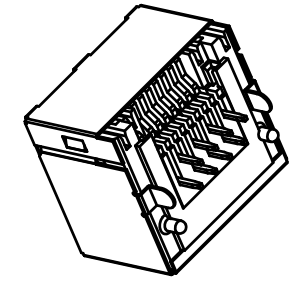
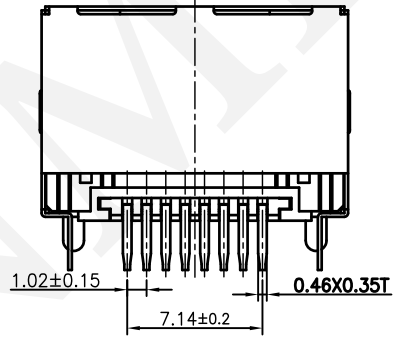
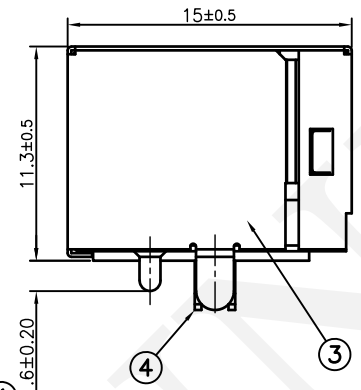
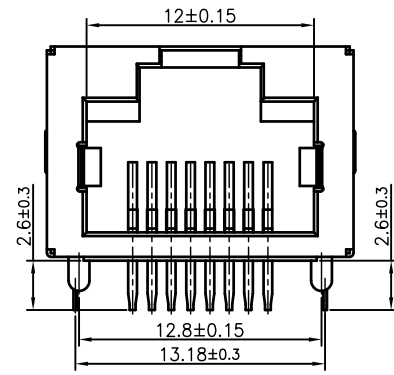


REVISIONS				
LTR	DESCRIPTION	DATE	REV.	CHKD. APVD.

A
B
C
D
E



- 技术要求：
- 电气特性：
 - 1-1 额定电压、电流:125VAC,1.5A
 - 1-2 接触阻抗：寿命测试前20mΩ MAX
寿命测试后100mΩ MAX
 - 1-3 耐电压：60Hz DC500V
功能脚与接地脚耐压：4000 V
 - 1-4 绝缘阻抗：500MΩ MIN
 - 机械特性：
 - 2-1 插入力:30N MAX
 - 2-2 网口保持力:50N MIN
 - 2-3 机械寿命:750 cycles
 - 环境特性：
 - 3-1 适用温度范围:-20℃ TO +70℃
 - 3-2 湿度范围:85%RH.MAX
 - 耐焊性:260±3℃，5±1s
 - 其它特性:见规格说明书



4 CONTACT	8 PHOSPHOR BRONZE t=0.35	Au/Sn PLATED
3 SHELL	1 BRASS t=0.2	Ni PLATED
2 COVER	1 HIGH TEMPERATURE PLASTIC	BLACK
1 HOUSING	1 HIGH TEMPERATURE PLASTIC	BLACK

LTR	PART NAME	Q'TY	MATERIAL	REMARK
120~315	±0.50	DWN	王安盛	DATE 2017.10.21
30~120	±0.35	DSND	王安盛	DATE 2017.10.21
6~30	±0.22	CHKD	李阮龍	DATE 2017.10.21
BELOW 6	±0.16	APVD	郭遠峰	DATE 2017.10.21
DIMENSION TOLERANCE				KUNMING ELECTRONICS CO.,LTD.
SCALE 2.5/1				NAME RJ45 CONNECTOR
PROJECTION				CAT. NO. KMRJ001BF08S1BY
UNIT:mm				DWN.NO. A-RJ001BF08S1BY
				1/1 001

The raw material specified by Sony should meet SS-00259 requirement of the latest version. When such material is used, it should be supplied by Sony designated suppliers.