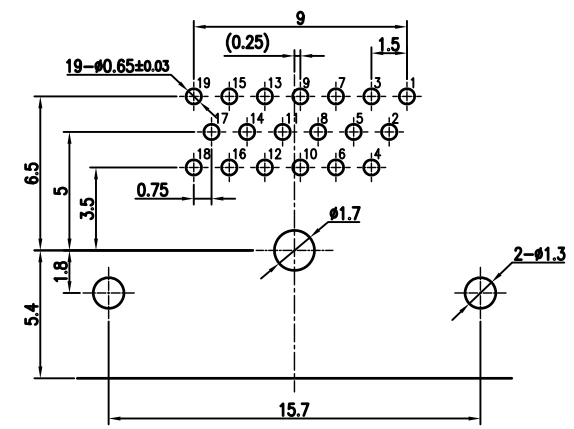
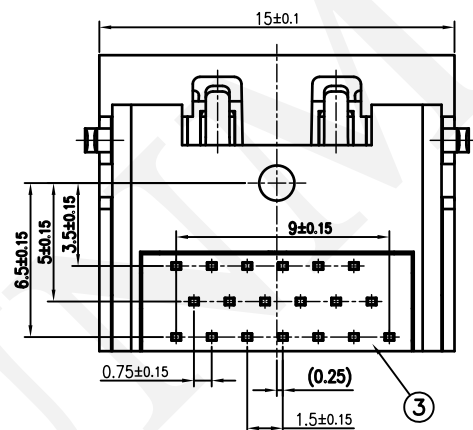
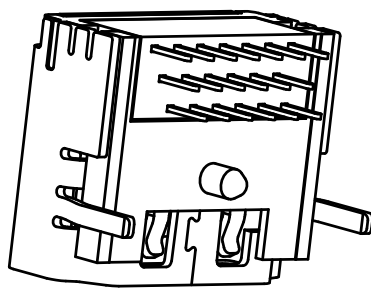
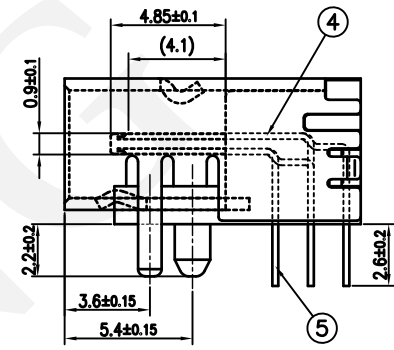
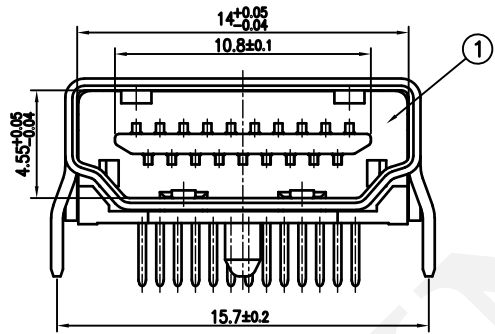
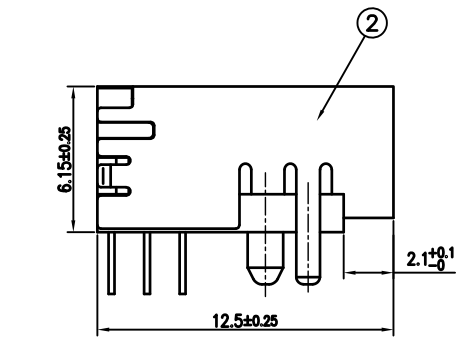


REVISIONS					
LTR	DESCRIPTION	DATE	REV.	CHKD.	APVD.



PCB LAYOUT(TOP VIEW) t=1.6mm  
NOTE:GENERAL TOLERANCE:±0.05mm

5	CONTACT-S	9	COPPER ALLOY	Au/Sn PLATED
4	CONTACT-L	10	COPPER ALLOY	Au/Sn PLATED
3	COVER	1	LCP UL94V-0	Black
2	SHELL	1	COPPER ALLOY	Ni-PLATED
1	HOUSING	1	LCP UL94V-0	Black

LTR	PART NAME	Q'TY	MATERIAL	REMARK
120~315	±0.50	DWN	王安盛	DATE 2017.10.21
30~120	±0.35	DSND	王安盛	DATE 2017.10.21
6~30	±0.22	CHKD	李阮龍	DATE 2017.10.21
BELOW 6	±0.16	APVD	郭遠峰	DATE 2017.10.21
DIMENSION	TOLERANCE	KUNMING ELECTRONICS CO.,LTD.		DWN.NO. A-HDA005AF19S1BY
				1/1
				001

The raw material specified by Sony should meet SS-00259 requirement of the latest version. When such material is used, it should be supplied by Sony designated suppliers.