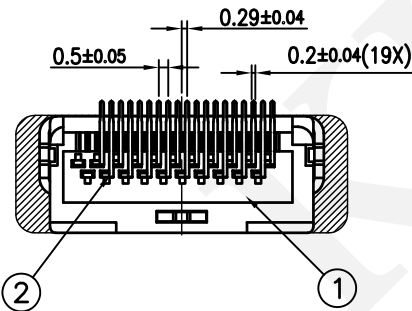
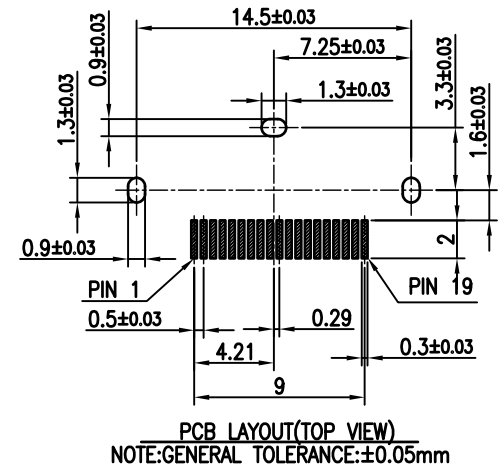
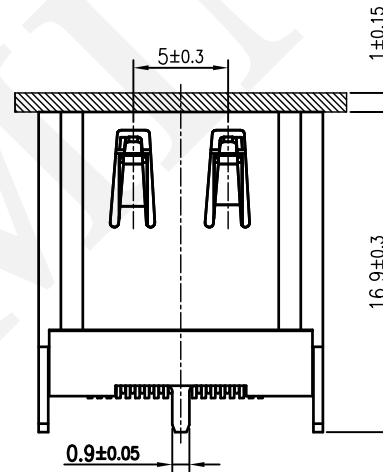
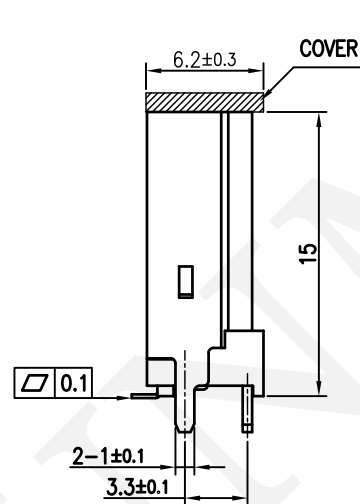
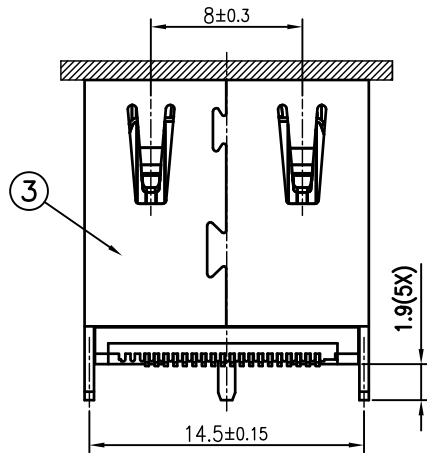
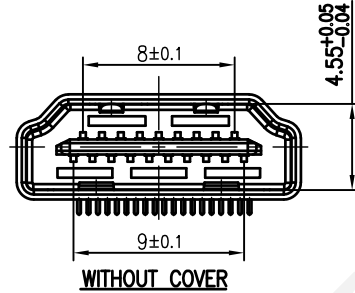
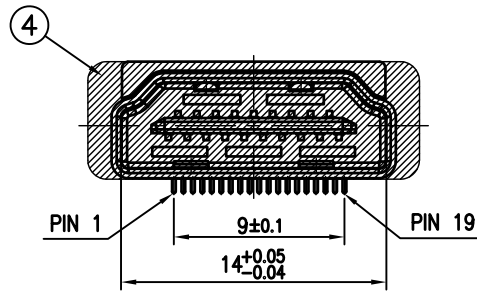


| REVISIONS | | | | | |
|-----------|-------------|------|------|-------|-------|
| LTR | DESCRIPTION | DATE | REV. | CHKD. | APVD. |
| | | | | | |



| | | | | |
|---|---------|----|-------------|--------------|
| 4 | COVER | 1 | LCP UL94V-0 | Black |
| 3 | SHELL | 1 | C2680 T=0.5 | Ni PLATED |
| 2 | CONTACT | 19 | C5191 T=0.2 | Au/Ni PLATED |
| 1 | HOUSING | 1 | LCP UL94V-0 | Black |

| LTR | PART NAME | Q'TY | MATERIAL | REMARK |
|---------------------|-----------|------|----------|------------------------------|
| 120~315 | ±0.50 | DWN | 王安盛 | DATE 2017.10.21 |
| 30~120 | ±0.35 | DSND | 王安盛 | DATE 2017.10.21 |
| 6~30 | ±0.22 | CHKD | 李阮龍 | DATE 2017.10.21 |
| BELOW 6 | ±0.16 | APVD | 郭遠峰 | DATE 2017.10.21 |
| DIMENSION TOLERANCE | | | | KUNMING ELECTRONICS CO.,LTD. |
| | | | | SCALE 2.5/1 |
| | | | | PROJECTION |
| | | | | UNIT:mm |
| | | | | NAME HDMI TYPE A CONNECTOR |
| | | | | CAT. NO. KMHDA002AF19S1BR |
| | | | | DWN.NO. A-HDA002AF19S1BR |
| | | | | 1/1 |
| | | | | 001 |

The raw material specified by Sony should meet SS-00259 requirement of the latest version. When such material is used, it should be supplied by Sony designated suppliers.