

REVISIONS					
LTR	DESCRIPTION	DATE	REV.	CHKD.	APVD.

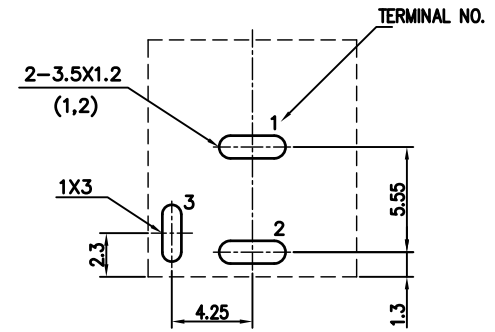
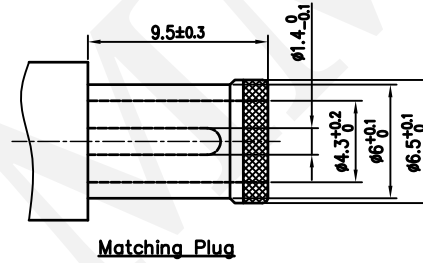
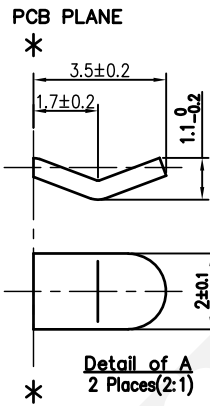
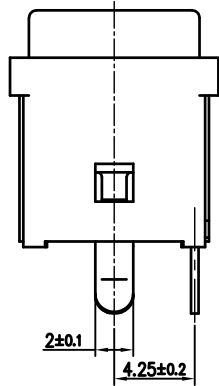
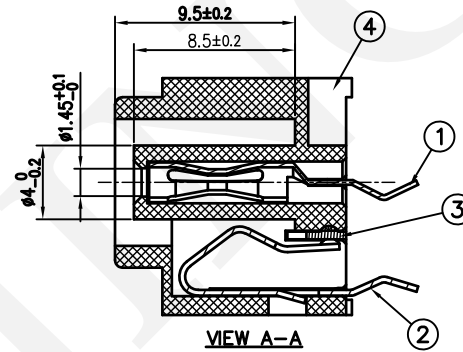
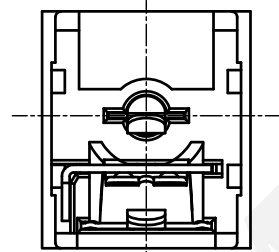
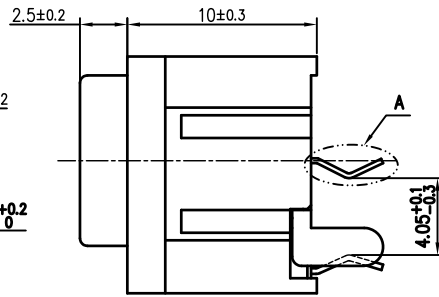
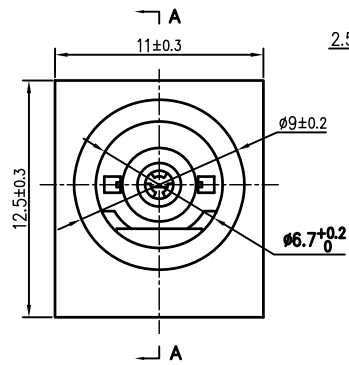
A

B

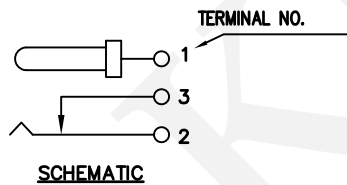
C

D

E



PCB HOLES (THE PATTERN SIDE) $t=1.6\text{mm}$
NOTE: GENERAL TOLERANCE: $\pm 0.1\text{mm}$



4	HOUSING	1	PA66 94V-0	Black		
3	FIX TERMINAL	1	BRASS $t=0.4$	Sn-PLATED		
2	SPRING TERMINAL	1	PHOSPHOR BRONZE $t=0.30$	Sn-PLATED		
1	CENTER TERMINAL	1	PHOSPHOR BRONZE $t=0.25$	Sn-PLATED		
LTR	PART NAME	Q'TY	MATERIAL	REMARK		
120~315	± 0.50	DWN	王安盛	DATE 2017.10.21	SCALE 2.5/1 NAME DC POWER JACK	
30~120	± 0.35	DSND	王安盛	DATE 2017.10.21		
6~30	± 0.22	CHKD	李阮龍	DATE 2017.10.21	PROJECTION CAT. NO. KMD153AF01L3BP	
BELOW 6	± 0.16	APVD	郭遠峰	DATE 2017.10.21		UNIT:mm
DIMENSION	TOLERANCE	KUNMING ELECTRONICS CO.,LTD.			DWN.NO. A-DC153AF01L3BP	1/1 001

The raw material specified by Sony should meet SS-00259 requirement of the latest version. When such material is used, it should be supplied by Sony designated suppliers.