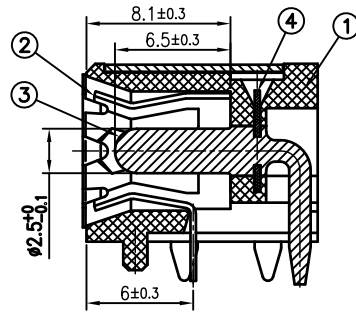
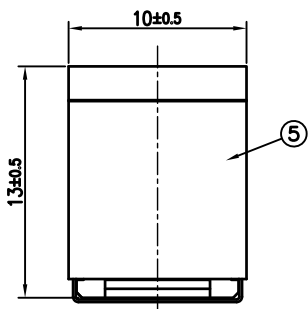
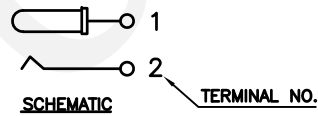
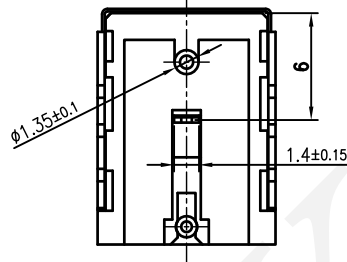
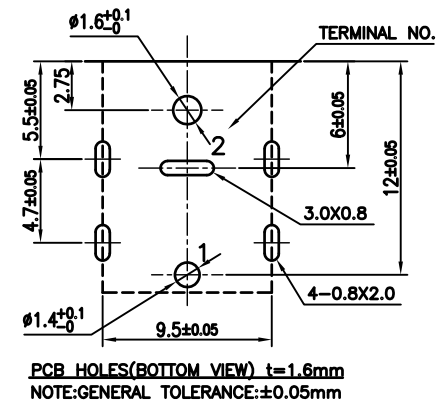
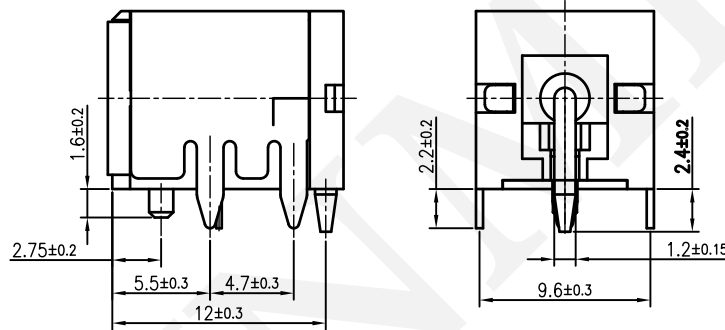
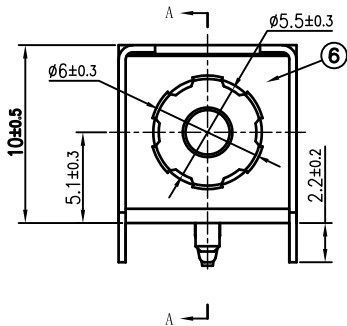


1 2 3 4 5 6

REVISIONS				
LTR	DESCRIPTION	DATE	REV.	CHKD. APVD.



SECTION A-A



6	GROUND	1	STAINLESS STEEL $t=0.15$	
5	SHEEL	1	STEEL $t=0.4$	Ni PLATED
4	TERMINAL	1	STAINLESS STEEL $t=0.3$	
3	PIN	1	COPPER ALLOY	Ag PLATED
2	SPRING	1	COPPER ALLOY $t=0.3$	CuSn PLATED
1	HOUSING	1	PA9T	BLACK

LTR	PART NAME	Q'TY	MATERIAL	REMARK
120~315	$\pm 0.50$	DWN	王安盛	DATE 2017.10.21
30~120	$\pm 0.35$	DSND	王安盛	DATE 2017.10.21
6~30	$\pm 0.22$	CHKD	李阮龍	DATE 2017.10.21
BELOW 6	$\pm 0.16$	APVD	郭遠峰	DATE 2017.10.21
DIMENSION	TOLERANCE	KUNMING ELECTRONICS CO.,LTD.		

SCALE	2.5/1	NAME	DC POWER JACK
PROJECTION		CAT. NO.	KMDC045AF01A1BY250
UNIT:mm		DWN.NO.	A-DC045AF01A1BY250
			1/1
			001

The raw material specified by Sony should meet SS-00259 requirement of the latest version. When such material is used, it should be supplied by Sony designated suppliers.