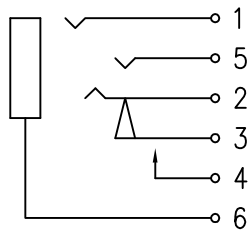
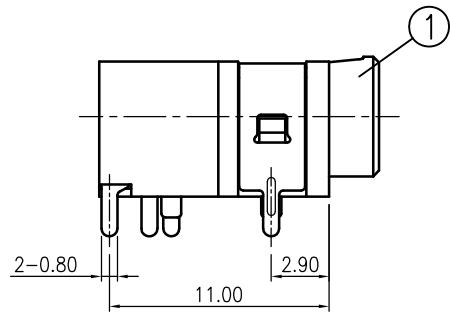
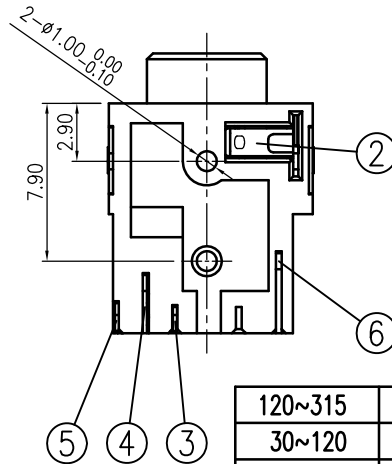
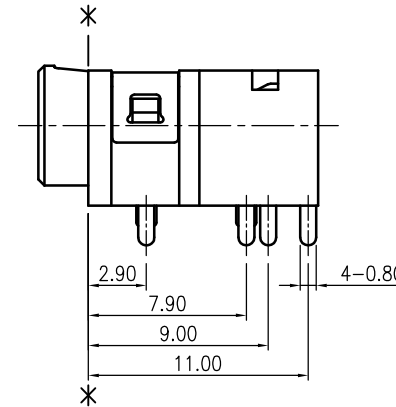
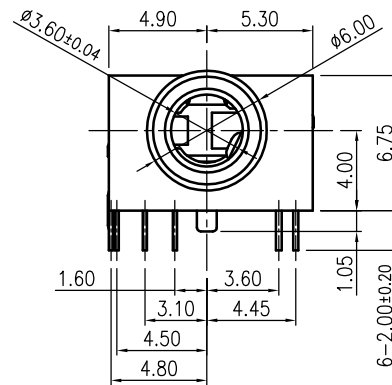
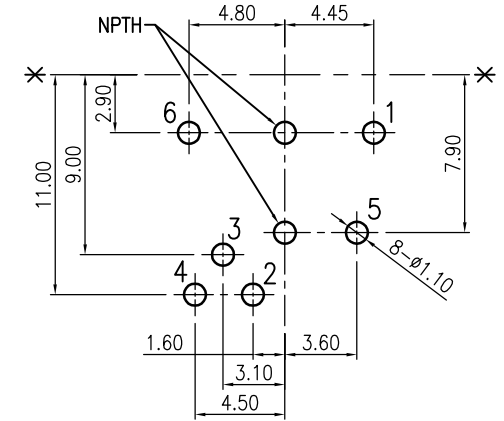
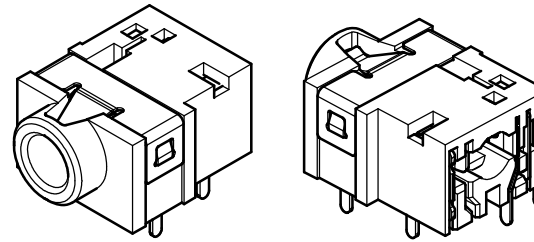
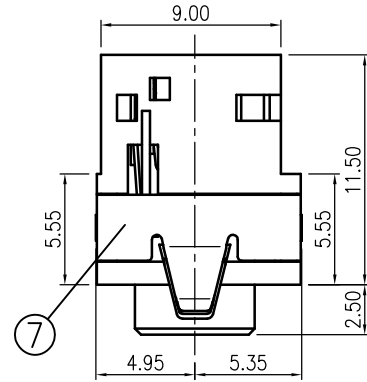


REVISIONS

LTR	DESCRIPTION	DATE	REV.	CHKD.	APVD.



Circuit diagram

7	SLEEVE SPRING (6)	1	Copper Alloy t=0.20
6	TIP SPRING (5)	1	Copper Alloy t=0.30
5	TRANSFER CONTACT (4)	1	Copper Alloy t=0.20
4	TRANSFER SPRING (3)	1	Copper Alloy t=0.20
3	RING SPRING (2)	1	Copper Alloy t=0.20
2	EARTH CONTACT (1)	1	Copper Alloy t=0.25
1	HOUSING	1	High Temperature Thermoplastic UL 94V-0

Please refer to color and plating combination list.

LTR	PART NAME	Q'TY	MATERIAL	REMARK
120~315	±0.5	DWN	江浩霆	DATE 2013.11.05
30~120	±0.35	DSND	江浩霆	DATE 2013.07.31
6~30	±0.22	CHKD	郭素玲	DATE 2013.11.05
BELOW 6	±0.16	APVD	郭遠峰	DATE 2013.11.05
DIMENSION	TOLERANCE	KUNMING ELECTRONICS CO.,LTD.		DWN.NO. A-35010FC1N

SCALE 2.5/1  
PROJECTION  
UNIT: mm

NAME MINIATURE JACK 4P+1NO SW  
CAT. NO. KM35010FC1\_\_\_N\_  
DWN.NO. A-35010FC1N  
1/1  
001