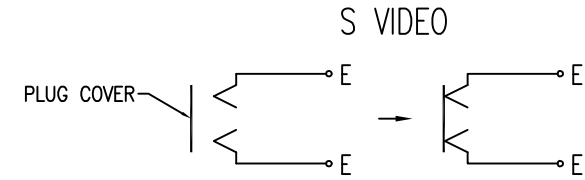
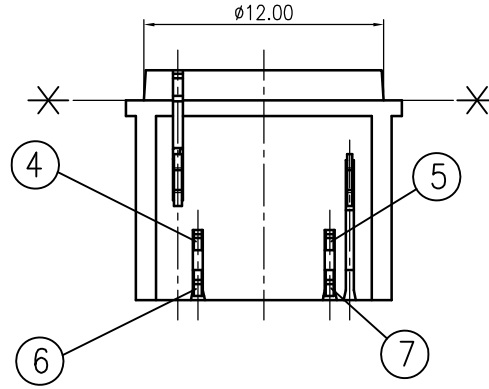
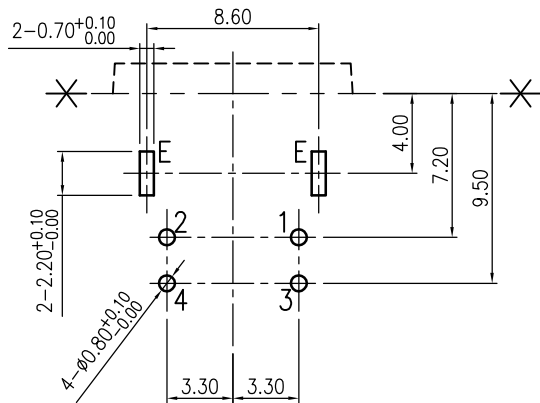
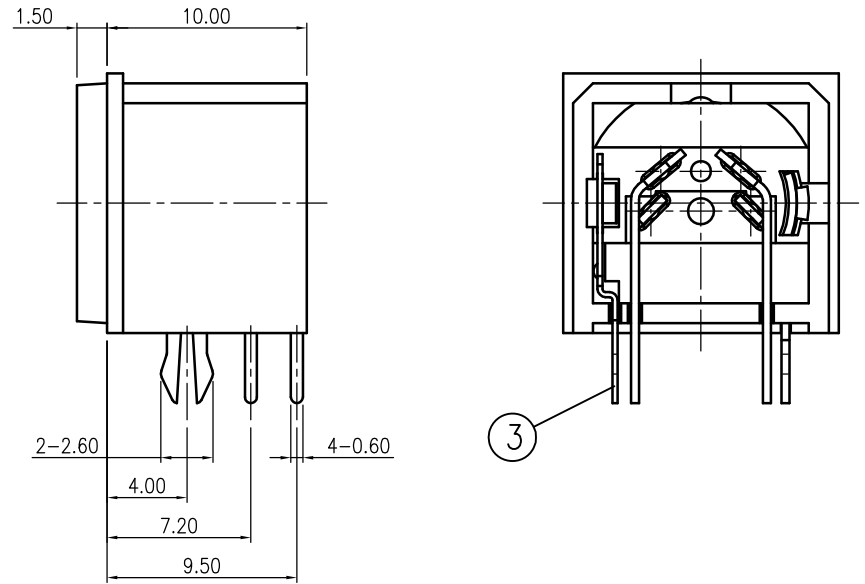
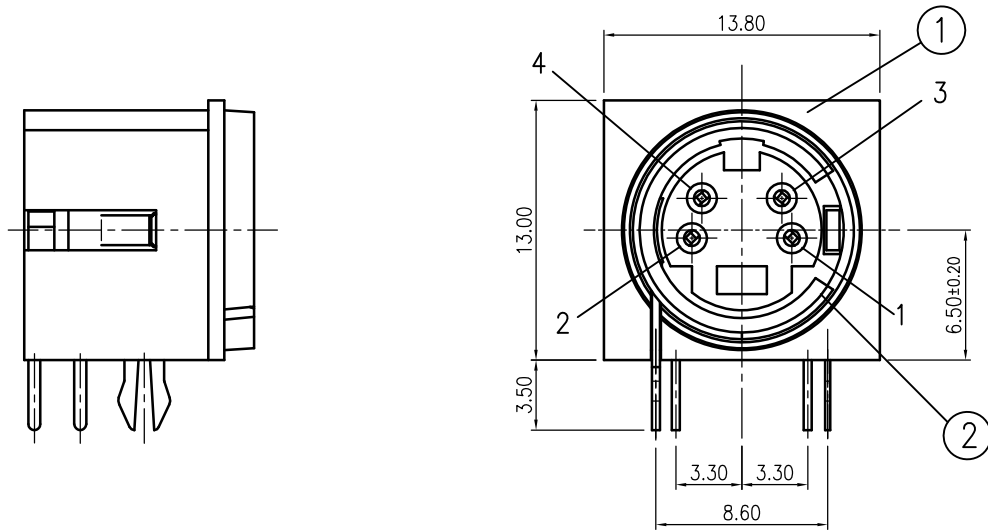


REVISIONS

LTR	DESCRIPTION	DATE	REV.	CHKD.	APVD.



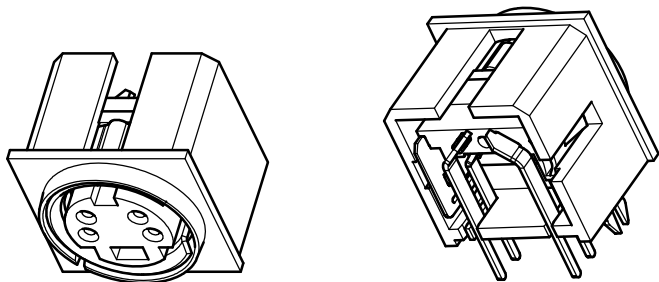
S SCHEMATIC

P.C.B Layout Dimension(Tolerance:±0.1)  
(Recommend min. Dimension)(Bottom View)

7	TERMINAL(3)	1	Copper Alloy	t=0.40
6	TERMINAL(4)	1	Copper Alloy	t=0.40
5	TERMINAL(1)	1	Copper Alloy	t=0.40
4	TERMINAL(2)	1	Copper Alloy	t=0.40
3	GROUND CONTACT (B)	1	Copper Alloy	t=0.25
2	GROUND CONTACT (A)	1	Copper Alloy	t=0.40
1	HOUSING	1	PBT+GF	UL 94V-0

Please refer color combination list.

LTR	PART NO.	QTY	MATERIAL	REMARK
120~315	±0.5	DWN	MIMO	DATE 2009.02.04
30~120	±0.35	DSND	MIMO	DATE 2009.02.04
6~30	±0.22	CHKD	JACKY	DATE 2009.02.04
BELOW 6	±0.16	APVD	JOHNSON	DATE 2009.02.05
DIMENSION	TOLERANCE	KUNMING ELECTRONICS CO.,LTD.		DWN.NO. A-09001P
				1/1
				001



UNLESS OTHERWISE SPECIFIED, TOLERANCE ON DECIMAL: ±0.3