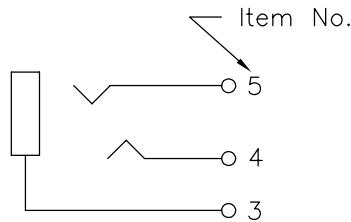
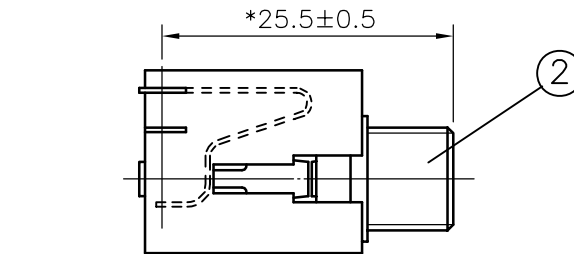
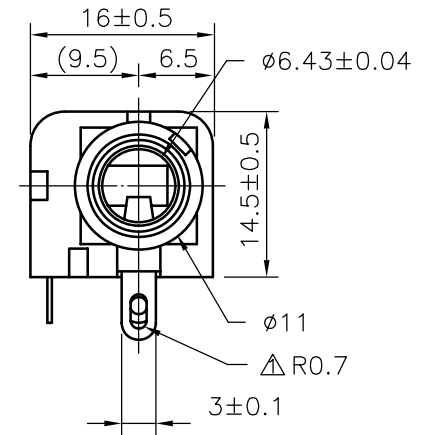
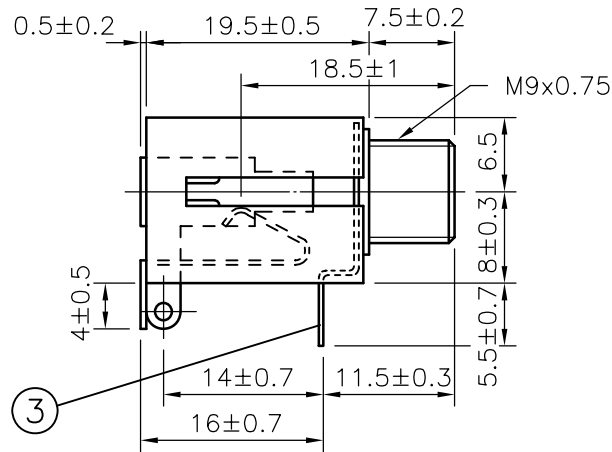
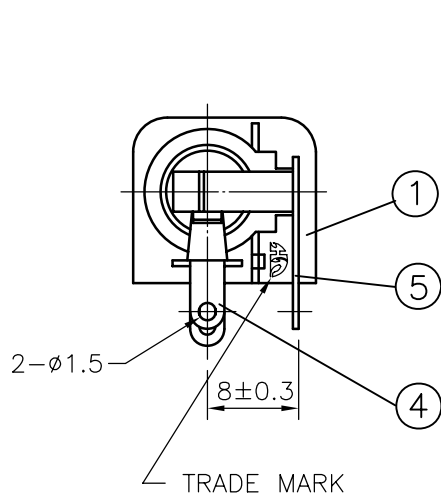


REVISIONS

| LTR  | DESCRIPTION            | DATE       | REV.   | CHKD. | APVD.    |
|------|------------------------|------------|--------|-------|----------|
| △ x1 | 為穿線方便, 故結構變更, 由圓孔改為橢圓孔 | 1997.08.30 | YW.CHN |       | HP.LIU   |
| △ x1 | 依簽呈字號C803001進行修正       | 2009.04.09 | LORNA  | HLAN  | Dick KUO |

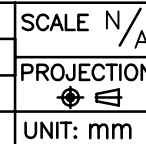


SCHEMATIC  
(HTJ-064-13D)



|   |                |   |                    |       |    |        |
|---|----------------|---|--------------------|-------|----|--------|
| 5 | TIP SPRING     | 1 | COPPER ALLOY,t=0.4 | MBCu  | Ag | PLATED |
| 4 | RING SPRING    | 1 | BRASS,t=0.4        | MBCu  | Ag | PLATED |
| 3 | EARTH TERMINAL | 1 | BRASS,t=0.5        | MBCu  | Ag | PLATED |
| 2 | BUSHING        | 1 | BRASS              | MBCu  | Ni | PLATED |
| 1 | HOUSING        | 1 | PBT+GF(UL94V-0)    | BLACK |    |        |

| LTR       | PART NO.  | QTY                          | MATERIAL | REMARK          |
|-----------|-----------|------------------------------|----------|-----------------|
| 120~315   | ±0.5      | DWN                          | LEO      | DATE 2001.10.17 |
| 30~120    | ±0.35     | DSND                         | LEO      | DATE 2001.10.17 |
| 6~30      | ±0.22     | CHKD                         | WANG     | DATE 2001.10.17 |
| BELOW 6   | ±0.16     | APVD                         | JOHNSON  | DATE 2001.10.18 |
| DIMENSION | TOLERANCE | KUNMING ELECTRONICS CO.,LTD. |          |                 |



|          |             |
|----------|-------------|
| NAME     | PHONE JACK  |
| CAT. NO. | HTJ-064-13D |
| DWN.NO.  | A-06413D    |