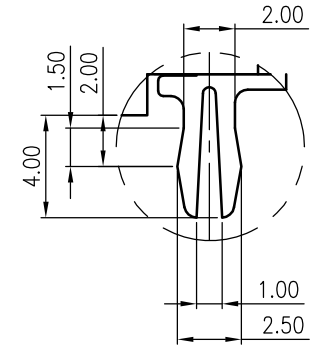
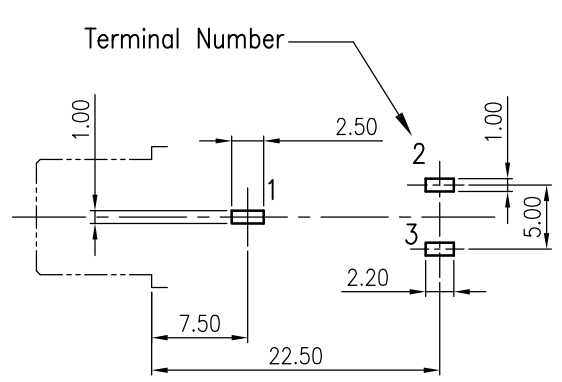
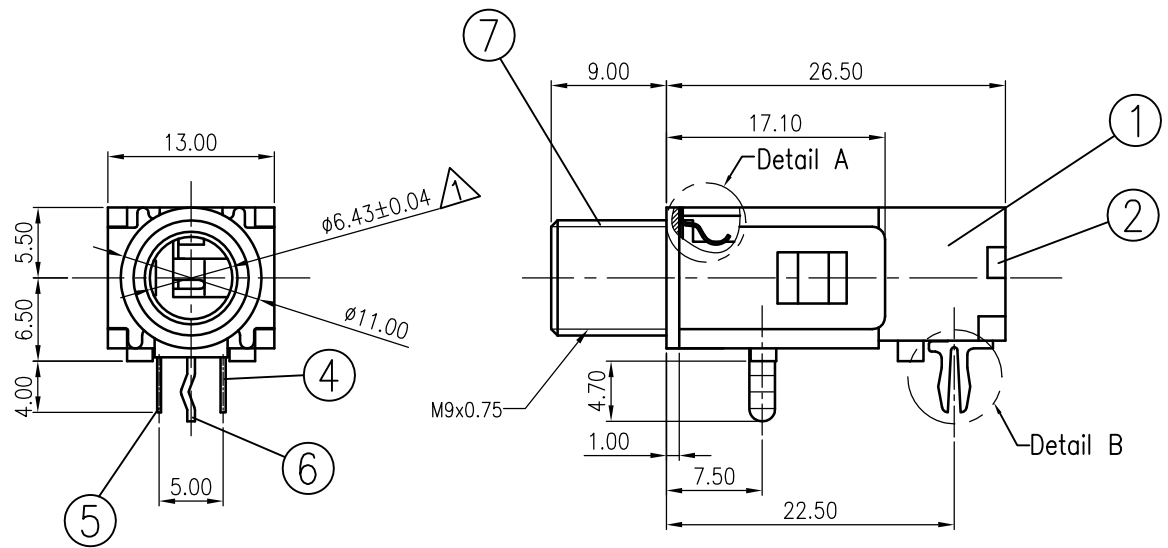
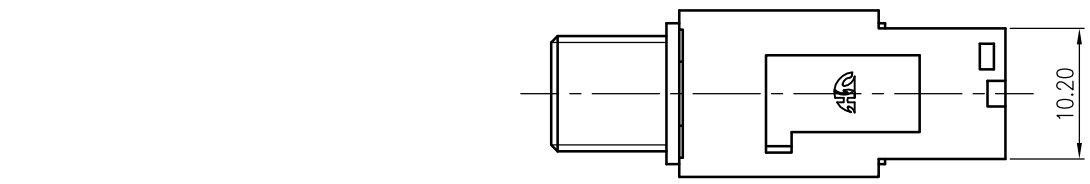
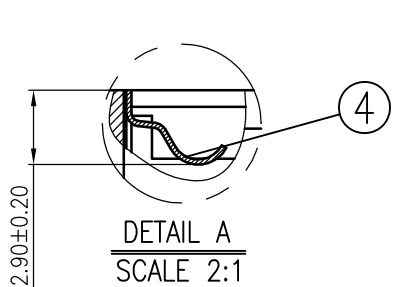
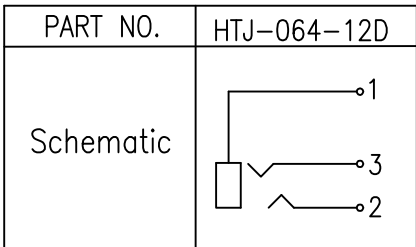


REVISIONS					
LTR	DESCRIPTION	DATE	REV.	CHKD.	APVD.
△ x1	修改尺寸標註	2006.05.04	付清華		夏正雄
△ x6	修正零件指引錯誤;更正材質誤記;變更材質,添加防火等級註記	2008.02.20	李志堅		陸昌妹
△ x1	依簽呈字號C803001進行修正	2008.07.15	賴黎明	陸昌妹	蔡志祿
△ x1	Modified drawing mistake and unified thread for the painting and dimension.ref.(C03100265)	2010.12.08	李志堅	陸昌妹/李阮龍	郭素玲



△ 4 Detail B  
Scale 2:1  
Applied to Terminal NO. 2,3



QTY	PART NAME	MATERIAL
1	BUSHING	BRASS
1	EARTH CONTACT(1)	Ferro Alloy $\Delta$ t=0.60
1	RING TERMINAL (3)	Copper Alloy $\Delta$ t=0.30
1	TIP SPRING (2)	Copper Alloy t=0.40
1	EARTH SPRING	Copper Alloy $\Delta$ t=0.20
1	COVER	PBT+GF $\Delta$ UL 94V-0
1	HOUSING	PBT+GF $\Delta$ UL 94V-0

Please refer color and plating combination list.

LTR	PART NAME	Q'TY	MATERIAL	REMARK
120~315	±0.5	DWN	李志堅	DATE 2008.02.20
30~120	±0.35	DSND	劉望全	DATE 2006.05.10
6~30	±0.22	CHKD	廖秋妹/陸昌妹	DATE 2008.02.21
BELOW 6	±0.16	APVD	林倫旋	DATE 2008.02.21
DIMENSION	TOLERANCE	KUNMING ELECTRONICS CO.,LTD.		NAME PHONE JACK
				CAT. NO. HTJ-064-12D_P
				DWN.NO. A-06412D_P
				1/1
				E

UNLESS OTHERWISE SPECIFIED, TOLERANCE ON DECIMAL: ±0.30 ANGLES: ±5°