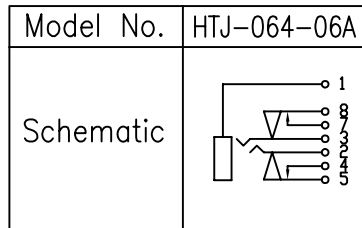
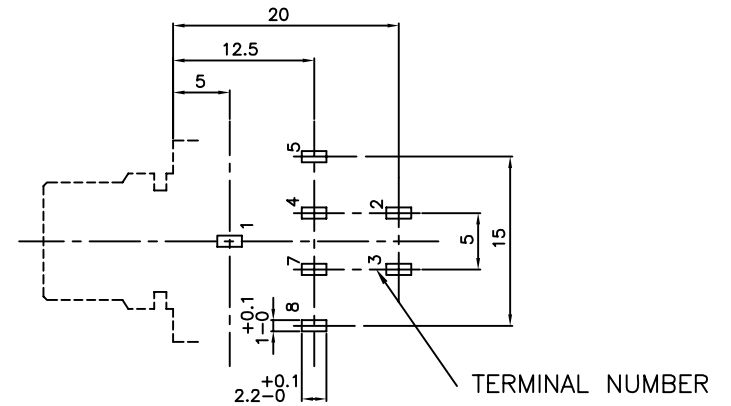


DETAIL OF TERMINAL NO.1,2,3



REVISIONS				
LTR	DESCRIPTION	DATE	REVISED	APPROVED
△X7	變更材質,更改防火等級注記	2007.10.30	ALLAN	BILL



P.C.B Layout Dimension (Tolerance: ±0.1)  
(Recommend min.Dimension)(bottom view)

10	B TERMINAL-L (7)	1	C2680 , t=0.4	Please refer color combination list	
9	B TERMINAL-R (4)	1	C2680 , t=0.4		
8	SEPARATOR	2	PA66, UL-94V-2 △ UL-94V-0		
7	T TERMINAL-L (8)	1	<del>C5212</del> △ C5210, t=0.35		
6	T TERMINAL-R (5)	1	<del>C5212</del> △ C5210, t=0.35		
5	RING TERMINAL (3)	1	<del>C5212</del> △ C5210, t=0.3		
4	TIP SPRING (2)	1	<del>C5212</del> △ C5210, t=0.35		
3	EARTH SPRING (1)	1	<del>C5212</del> △ C5210, t=0.3		
2	COVER	1	POM UL-94HB		
1	HOUSING	1	<del>ABS</del> △ PBT+GF, UL-94V-0		
LTR	PART NAME	QTY	MATERIAL	REMARK	
DWN	ALLAN	DATE	2007.10.30	NAME PHONE JACK	
DSND	Y.H.KUNG	DATE	1992.06.01		
CHKD	BILL	DATE	2007.11.02	CAT. NO. HTJ-064-06A_	
APVD	BILL	DATE	2007.11.02		
KUNMING ELECTRONICS CO.,LTD.				DWN.NO. A-06406A	1/1 B