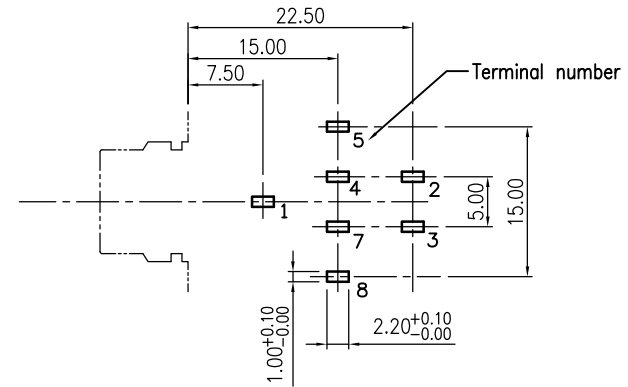
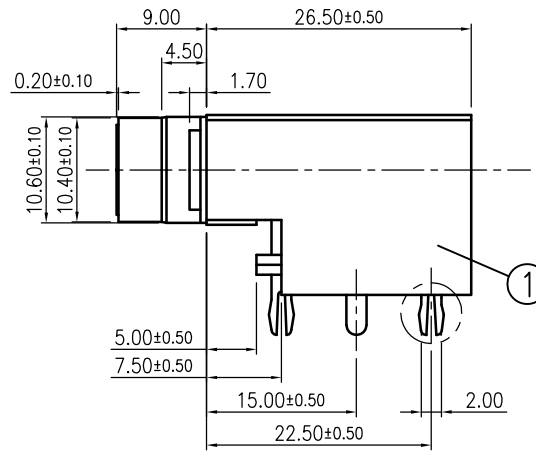
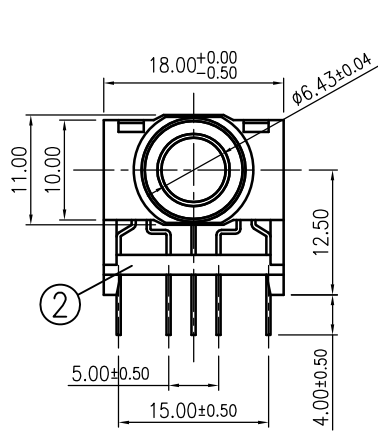
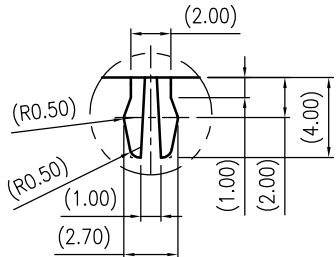


REVISIONS

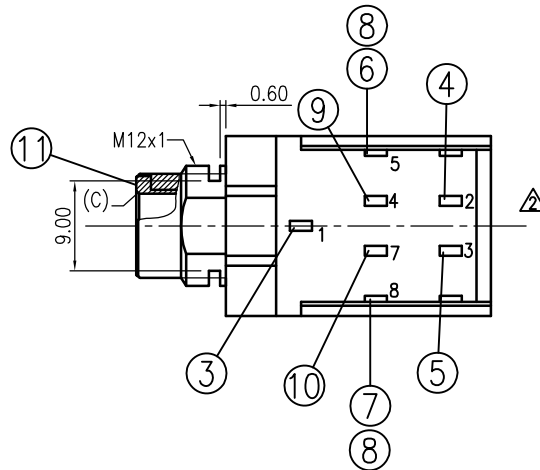
| LTR | DESCRIPTION  | DATE       | REV. | CHKD. | APVD. |
|-----|--|------------|------|-------|-------|
| △x1 | To revise the drawing by official letter.(C803001)     | 2012.02.16 | 黃健瑋  | 郭素玲   | 郭遠峰   |
| △x1 | To correct the material (ECR: C03110305)               | 2012.02.16 | 黃健瑋  | 郭素玲   | 郭遠峰   |
| △x1 | To modify the description of remark.(ECR No.C03110380) | 2012.02.16 | 黃健瑋  | 郭素玲   | 郭遠峰   |



PCB Layout Dimension (Tolerance: ±0.10)  
(Recommend min. Dimension)(Bottom View)

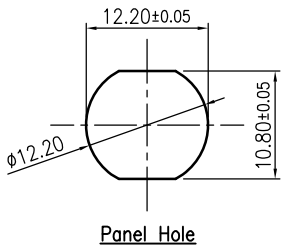


Detail A  
Scale: 2:1  
Detail of terminal No. 1, 2, 3

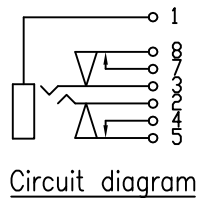


|   |    |                  |   |   |
|---|----|------------------|---|---|
| △ | 11 | SLEEVE           | 1 | Brass                                   |
|   | 10 | B TERMINAL(7)    | 1 | Brass t=0.40                            |
|   | 9  | B TERMINAL(4)    | 1 | Brass t=0.40                            |
|   | 8  | SEPARATOR        | 2 | High temperature thermoplastic UL 94V-2 |
|   | 7  | T TERMINAL(8)    | 1 | Copper Alloy t=0.35                     |
|   | 6  | T TERMINAL(5)    | 1 | Copper Alloy t=0.35                     |
|   | 5  | RING TERMINAL(3) | 1 | Copper Alloy t=0.30                     |
|   | 4  | TIP SPRING(2)    | 1 | Copper Alloy t=0.30                     |
|   | 3  | EARTH SPRING(1)  | 1 | Copper Alloy t=0.30                     |
|   | 2  | COVER            | 1 | POM                                     |
|   | 1  | HOUSING          | 1 | ABS                                     |

△ Please refer color and plating combination list.



Panel Hole



Circuit diagram

| LTR       | PART NAME | Q'TY                         | MATERIAL | REMARK               |
|-----------|-----------|------------------------------|----------|----------------------|
| 120~315   | ±0.5      | DWN                          | 劉惠萍      | DATE 2003.09.22      |
| 30~120    | ±0.35     | DSND                         | YHKUNG   | DATE 1991.09.18      |
| 6~30      | ±0.22     | CHKD                         | 夏正雄      | DATE 2003.09.23      |
| BELOW 6   | ±0.16     | APVD                         | 龔雲輝      | DATE 2003.09.23      |
| DIMENSION | TOLERANCE | KUNMING ELECTRONICS CO.,LTD. |          | DWN.NO. A-06403A     |
|           |           |                              |          | CAT. NO. HTJ-064-03A |
|           |           |                              |          | 1/1                  |
|           |           |                              |          | B                    |