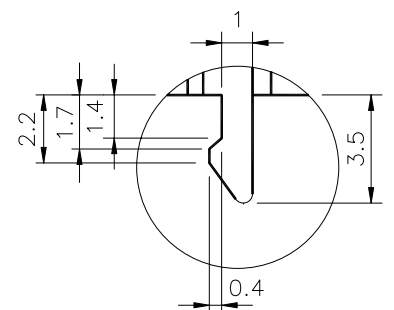
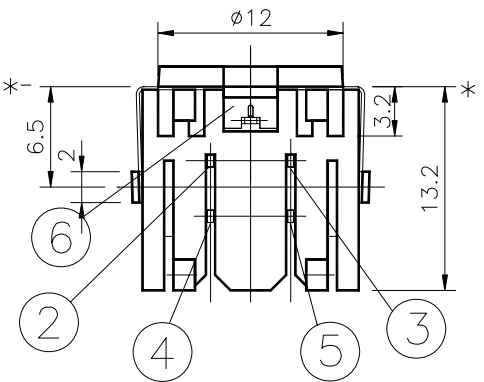


HOLE LAYOUT REFERENCE
TOLERANCE : ±0.1 (BOTTOM VIEW)



DETAIL A

UNLESS OTHERWISE SPECIFIED, TOLERANCE ON DECIMAL: ±0.3 ANGLES: ±5°

| REVISIONS | | | | |
|-----------|-----------------------------|------------|----------|----------|
| LTR | DESCRIPTION | DATE | REVISED | APPROVED |
| △ x 3 | 併圖,更改 S 端子標註順序,顏色及鍍層參照顏色料號表 | 2003.12.26 | ANDERSON | JOHNSON |

| | | | | |
|---|----------------|---|-----------------------|---------|
| 7 | SHIELD PLATE | 1 | SK5 | , t=0.2 |
| 6 | GROUND CONTACT | 1 | C5191 | , t=0.4 |
| 5 | CONTACT (4) | 1 | C5212 | , t=0.4 |
| 4 | CONTACT (3) | 1 | C5212 | , t=0.4 |
| 3 | CONTACT (2) | 1 | C5212 | , t=0.4 |
| 2 | CONTACT (1) | 1 | C5212 | , t=0.4 |
| 1 | HOUSING | 1 | ABS (PA-777D) (BLACK) | |

△Please refer color combination list.

| LTR | PART NAME | QTY | MATERIAL | REMARK |
|-----------|-----------|------|------------|----------------------|
| DSND | CHRISTINA | DATE | 2000.10.23 | 3RD ANGLE PROJECTION |
| DWN | ANDERSON | DATE | 2004.01.06 | |
| CHKD | JOHNSON | DATE | 2004.01.12 | |
| APVD | KUNG | DATE | 2004.01.12 | |
| UNIT : mm | | | | |

| | |
|----------|----------|
| NAME | S-JACK |
| CAT. No. | HDC-056A |

KUNMING ELECTRONICS CO., LTD.

| | | |
|----------|--------|-----|
| DWN. No. | A-056A | 1/1 |
| | | B |