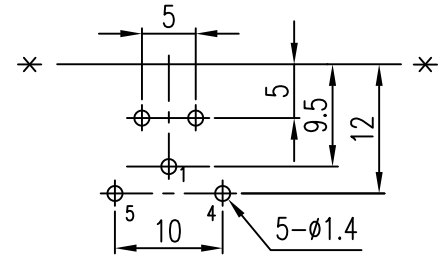
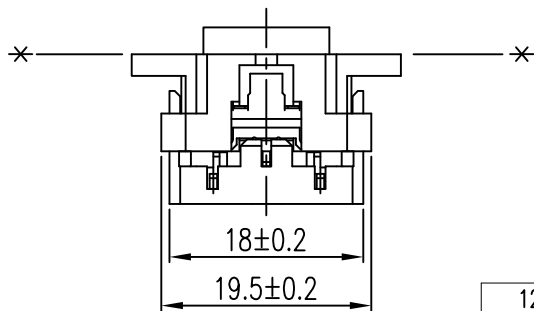


PIN LAYOUT (TO INSERT PLUG)
HOLE #2 AND #3 WITHOUT PIN



RECOMMEND PCB HOLES LAYOUT
P.C.B Layout Dimension (Tolerance:±0.1)
(Recommend min.Dimension)(bottom view)



REVISIONS					
LTR	DESCRIPTION	DATE	REV.	CHKD.	APVD.
△ x1	變更材質, 參CEN060046	2008.11.19	ZOT	HLAN	STANLY
△ x1	更改材質, 參CEN060047	2008.11.19	ZOT	HLAN	STANLY
△ x1	依C803001 進行修正	2008.11.19	ZOT	HLAN	STANLY

△	6	TIP SPRING	1	Copper Alloy	t=0.2	MBCu2-Sn3
	5	TERMINAL	1	BRASS	t=0.7	MBCu2-Sn3
	4	TERMINAL	1	BRASS	t=0.7	MBCu2-Sn3
	3	TERMINAL	1	BRASS	t=0.7	MBCu2-Sn3
	2	COVER	1	PPO UL-94V-1		BLACK
	1	HOUSING	1	PPO UL-94V-1		BLACK

LTR	PART NAME	QTY	MATERIAL	REMARK
120~315	±0.5	DWN	TOHNSON	DATE 1996.02.15
30~120	±0.35	DSND	JAER	DATE 2003.09.10
6~30	±0.22	CHKD	JOHNSON	DATE 2003.09.10
BELOW 6	±0.16	APVD	KUNG	DATE 2003.09.10
DIMENSION	TOLERANCE	KUNMING ELECTRONICS CO.,LTD.		

SCALE	N/A	NAME	DIN CONNECTOR	
PROJECTION		CAT NO.	HDC-052SP-01	
UNIT:	mm	DWN.NO.	A-052SP-01	1/1
				B

UNLESS OTHERWISE SPECIFIED, TOLERANCE ON DECIMAL: ±0.3 ANGLES: ±5°