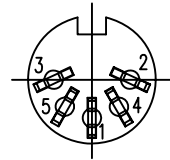
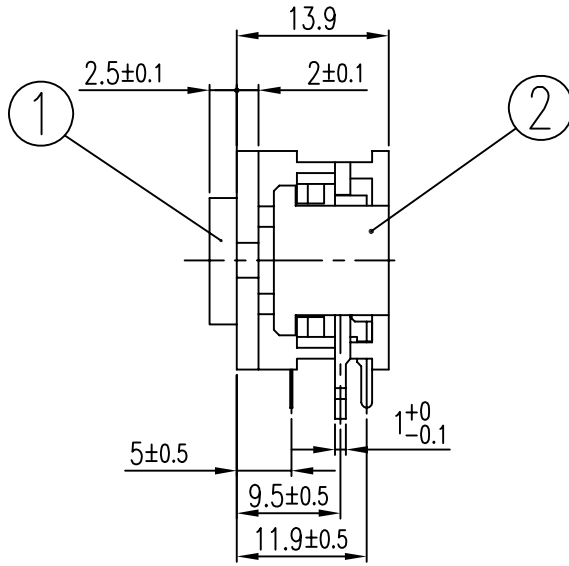
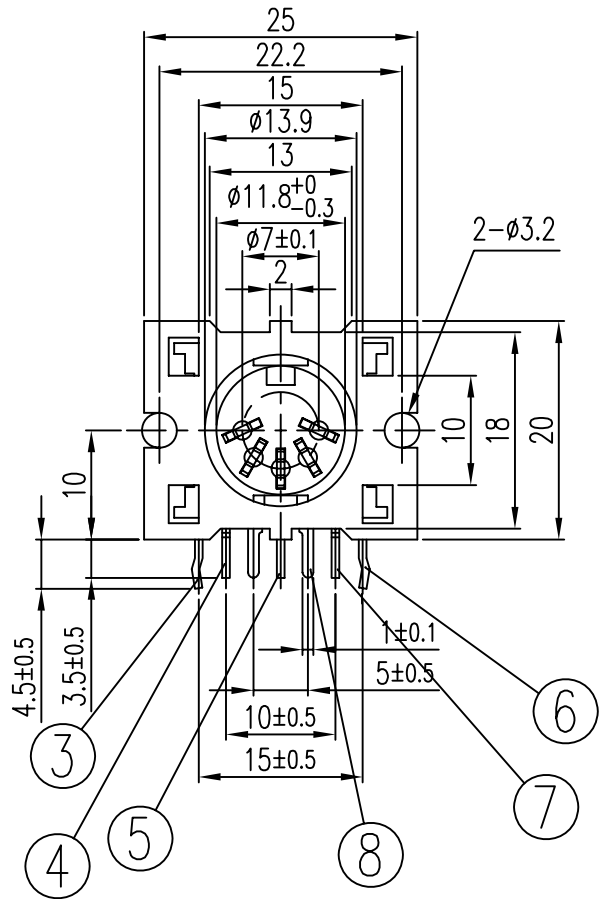
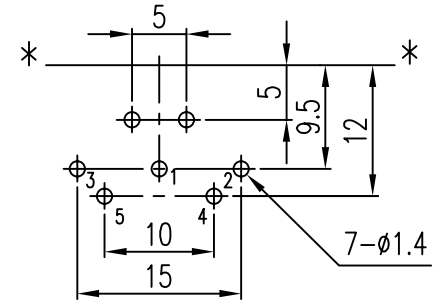


REVISIONS				
LTR	DESCRIPTION	DATE	REVISED	APPROVED
△X2	材質變更	2006.11.20	AGERS	BILL

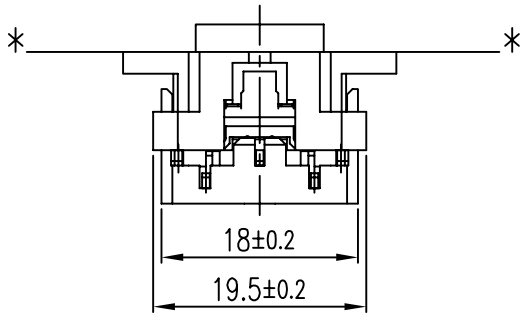


PIN LAYOUT (TO INSERT PLUG)



RECOMMEND PCB HOLES LAYOUT

P.C.B Layout Dimension (Tolerance:±0.1)  
(Recommend min.Dimension)(bottom view)



8	TIP SPRING	1	C5210	t=0.2	MBCu-Sn
7	TERMINAL	1	C2680	t=0.7	MBCu-Sn
6	TERMINAL	1	C2680	t=0.7	MBCu-Sn
5	TERMINAL	1	C2680	t=0.7	MBCu-Sn
4	TERMINAL	1	C2680	t=0.7	MBCu-Sn
3	TERMINAL	1	C2680	t=0.7	MBCu-Sn
2	COVER	1	ABS △ PPO		
1	HOUSING	1	ABS △ PPO		

LTR	PART NAME	QTY	MATERIAL(THICK,COLOR)	REMARK
DWN	AGERS	DATE	2006.11.20	SCALE / NAME
DSND	JOHNSON	DATE	1996.09.10	PROJECTION /
CHKD	BILL	DATE	2006.11.21	UNIT: mm /
APVD	BILL	DATE	2006.11.21	UNIT: mm /
KUNMING ELECTRONICS CO.,LTD.				DWN.NO. /
				A-052-01 /
				1/1 /
				B

UNLESS OTHERWISE SPECIFIED, TOLERANCE ON DECIMAL: ±0.3 ANGLES: ±5'