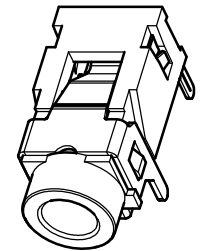
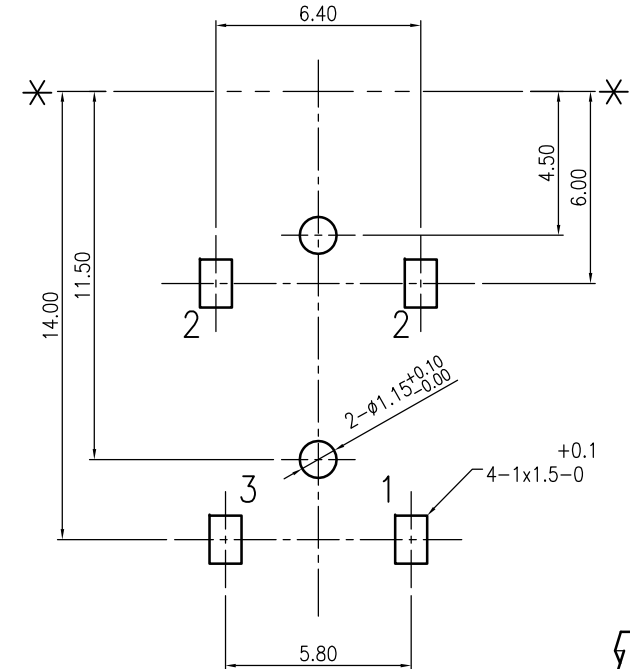
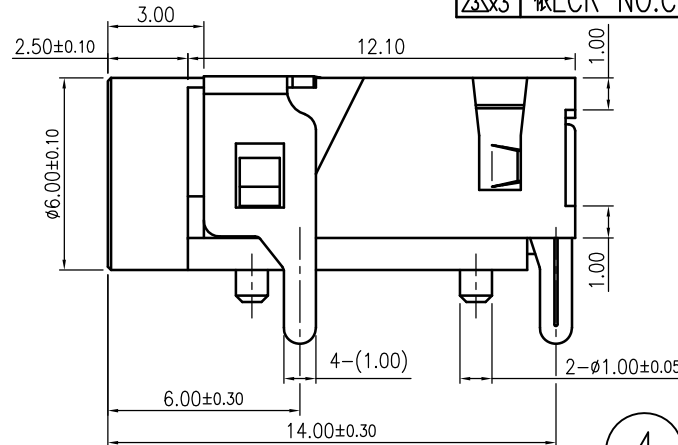
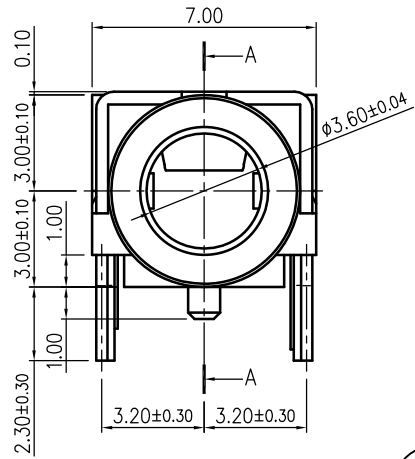
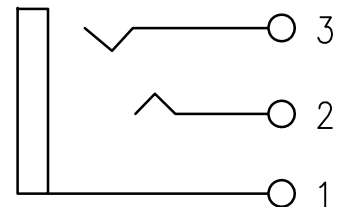
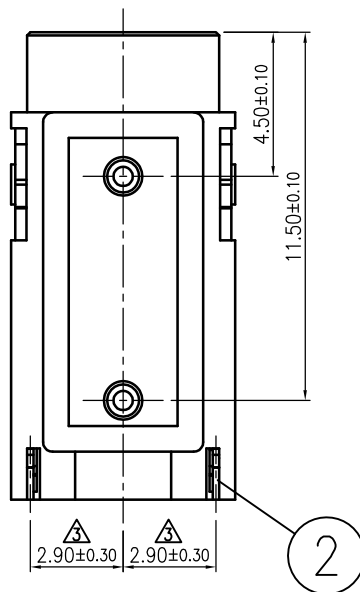
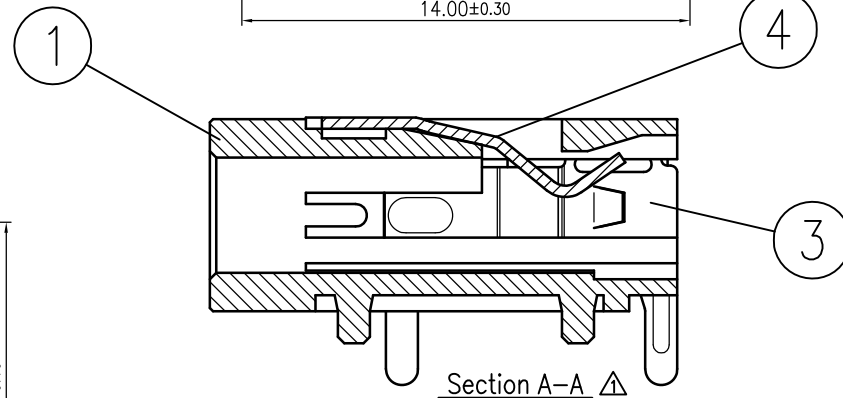


REVISIONS

LTR	DESCRIPTION	DATE	REV.	CHKD.	APVD.
△x4	增加剖視圖及電鍍層厚度	2002.03.27	LEO	JOHNSON	JOHNSON
△x2	依簽呈字號C803001進行修正	2009.03.04	MIMO	JACKY	Dick Kuo
△x3	依ECR NO.C03090069,進行修改	2009.03.04	MIMO	JACKY	Dick Kuo



P.C.B Layout Dimension (Tolerance: ±0.1)
(Recommend min. Dimension) (Bottom View)



△ SCHEMATIC

4	TIP SPRING	1	COPPER ALLOY	t=0.35
3	RING SPRING	1	COPPER ALLOY	t=0.20
2	EARTH CONTACT	1	COPPER ALLOY	t=0.20
1	HOUSING	1	PBT+GF	UL 94V-0

Please refer color combination list.

LTR	PART NO.	QTY	MATERIAL	REMARK
120~315	±0.5	DWN	LEO	DATE 2002.03.27
30~120	±0.35	DSND	LEO	DATE 2002.03.27
6~30	±0.22	CHKD	WANG	DATE 2002.03.27
BELOW 6	±0.16	APVD	JOHNSON	DATE 2002.03.27

SCALE	4/1	NAME	MINIATURE JACK
PROJECTION		CAT. NO.	HTJ-035-29D
UNIT:	mm	DWN.NO.	A-03529D
			1/1
			B

UNLESS OTHERWISE SPECIFIED, TOLERANCE ON DECIMAL: ±0.2 ANGLES: ±5°

KUNMING ELECTRONICS CO., LTD.