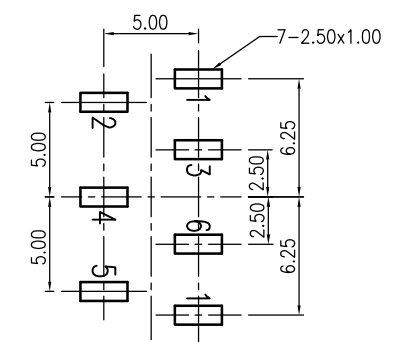
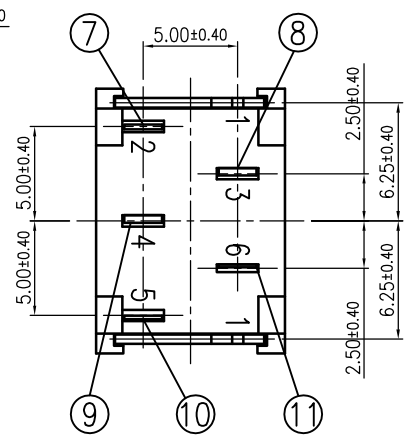
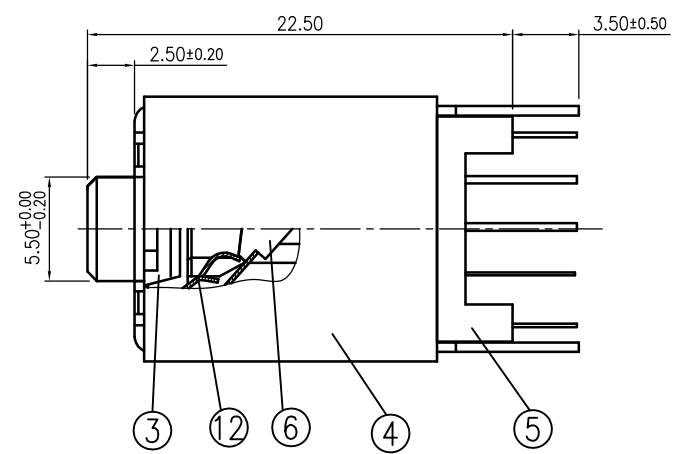
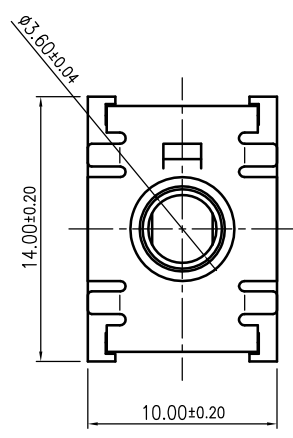
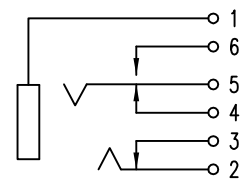
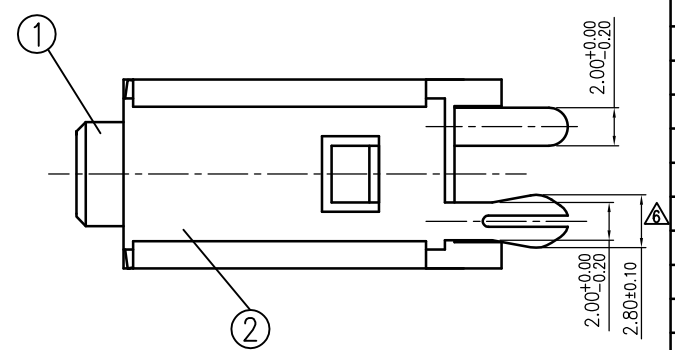


| REVISIONS | | | | | |
|-----------|---|------------|------|-------|-------|
| LTR | DESCRIPTION | DATE | REV. | CHKD. | APVD. |
| △x1 | Modify the material of SEPARATOR.(ECR No.C03130501) | 2013.12.24 | 李阮龍 | 郭素玲 | 郭遠峰 |



PCB Layout Dimension (Tolerance: ±0.10)
(Recommend min. Dimension)(Bottom View)



Schematic

| | | | | |
|----|--------------------|---|---|----------|
| 12 | TRANSFER CONTACT | 1 | Copper Alloy | t=0.20 |
| 11 | BREAK SPRING (6) | 1 | Copper Alloy | t=0.15 |
| 10 | TRANSFER SPRING(5) | 1 | Copper Alloy | t=0.20 |
| 9 | BREAK TERMINAL (4) | 1 | Brass | t=0.40 |
| 8 | BREAK TERMINAL (3) | 1 | Brass | t=0.40 |
| 7 | TIP SPRING (2) | 1 | Copper Alloy | t=0.25 |
| 6 | SEPARATOR | 1 | High Temperature Thermoplastic UL 94V-0 | |
| 5 | COVER | 1 | PPO | UL 94V-1 |
| 4 | HOUSING | 1 | PPO | UL 94V-1 |
| 3 | EARTH CONTACT | 1 | Copper Alloy | t=0.20 |
| 2 | METAL SHELL (1) | 1 | Ferro Alloy | t=0.50 |
| 1 | METAL SLEEVE | 1 | Brass | |

Please refer to color and plating combination list.

| LTR | PART NAME | Q'TY | MATERIAL | REMARK |
|-----------|-----------|------------------------------|----------|-----------------|
| 120~315 | ±0.50 | DWN | JAER | DATE 2003.03.18 |
| 30~120 | ±0.35 | DSND | 夏正雄 | DATE 2000.09.26 |
| 6~30 | ±0.22 | CHKD | 夏正雄 | DATE 2004.03.18 |
| BELOW 6 | ±0.16 | APVD | 龔雲輝 | DATE 2004.03.18 |
| DIMENSION | TOLERANCE | KUNMING ELECTRONICS CO.,LTD. | | |

SCALE 2.5/1
PROJECTION
UNIT:mm

| | |
|----------|----------------|
| NAME | MINIATURE JACK |
| CAT. NO. | HTJ-035-27A_ |
| DWN.NO. | A-03527A |
| | 1/1 |
| | E |

UNLESS OTHERWISE SPECIFIED, TOLERANCE ON DECIMAL: ±0.30 ANGLES: ±5°

SONY specifies the raw material is SS-00259 the latest version of document requests, and purchased from the SONY specified raw materials suppliers.