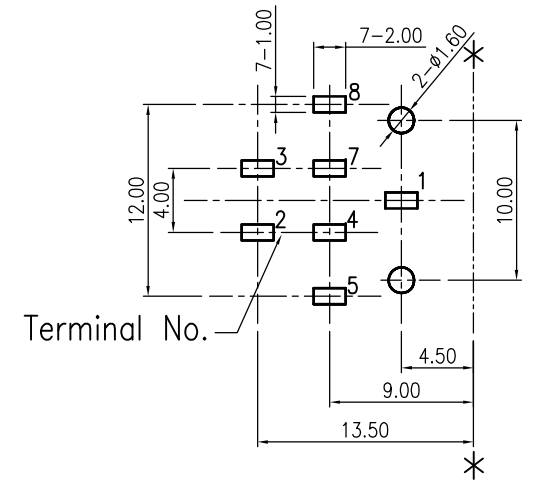
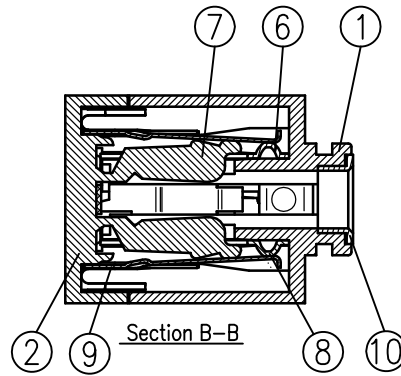
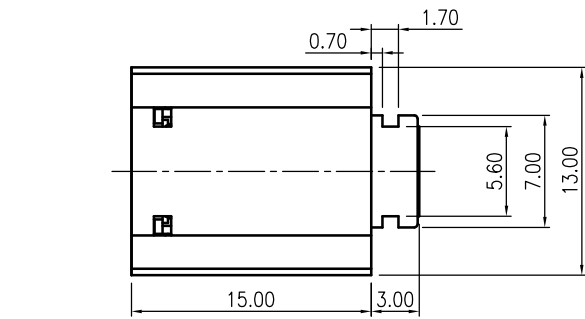
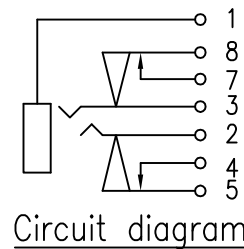
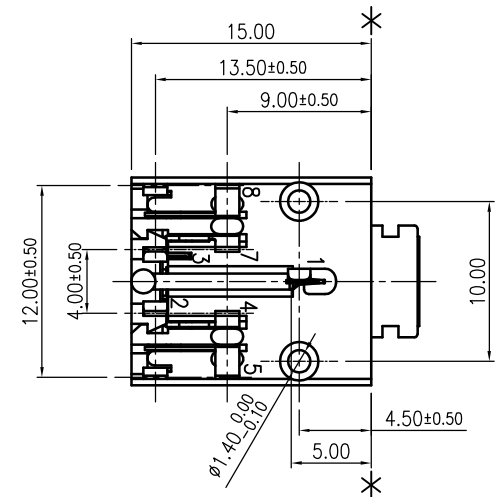
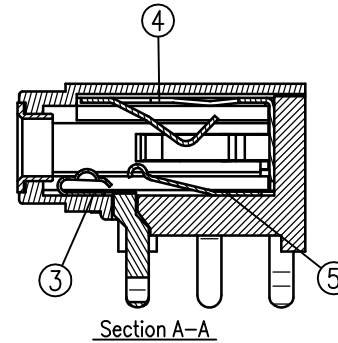
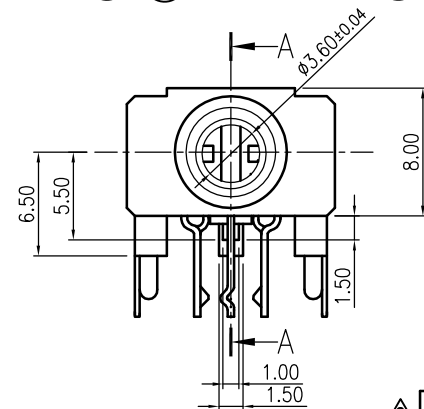
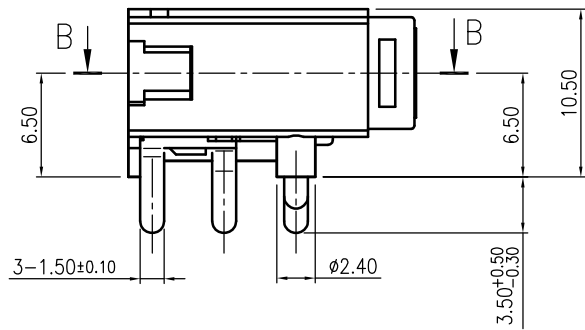


REVISIONS

LTR	DESCRIPTION	DATE	REV.	CHKD.	APVD.
△x1	To revise the drawing by official letter.(C803001)	2011.09.14	李阮龍	郭素玲	郭遠峰
△x1	To correct the material (ECR: C03110304)	2011.09.14	李阮龍	郭素玲	郭遠峰



P.C.B Layout Dimension(Tolerance:±0.1)
(Recommend min. Dimension)(Bottom View)



△	10	SLEEVE	1	Brass
△	9	TRANSFER TERMINAL(8)	1	Copper Alloy t=0.20
	8	BREAK TERMINAL(7)	1	Brass t=0.30
	7	TRANSFER TERMINAL(5)	1	Copper Alloy t=0.20
	6	BREAK TERMINAL(4)	1	Brass t=0.30
	5	RING SPRING(3)	1	Copper Alloy t=0.25
	4	TIP SPRING(2)	1	Copper Alloy t=0.30
	3	EARTH SPRING(1)	1	Copper Alloy t=0.20
	2	COVER	1	POM UL 94VHB
	1	HOUSING	1	ABS UL 94VHB

Please refer color and plating combination list.

LTR	PART NAME	Q'TY	MATERIAL	REMARK
120~315	±0.5	DWN	郭益平	DATE 2010.01.15
30~120	±0.35	DSND	郭益平	DATE 2010.01.15
6~30	±0.22	CHKD	陸昌妹	DATE 2010.01.15
BELOW 6	±0.16	APVD	郭遠峰	DATE 2010.01.15
DIMENSION	TOLERANCE	KUNMING ELECTRONICS CO.,LTD.		DWN.NO. A-03513A
				1/1
				B

UNLESS OTHERWISE SPECIFIED, TOLERANCE ON DECIMAL:±0.30 ANGLES: ±5°

SCALE 2/1
PROJECTION
UNIT: mm

NAME MINIATURE JACK
CAT. NO. HTJ-035-13A
DWN.NO. A-03513A