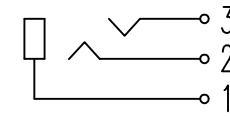
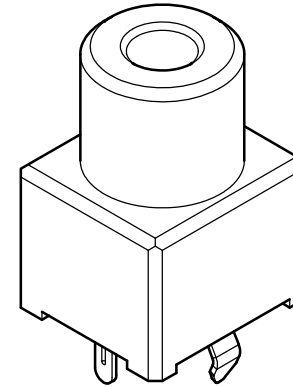
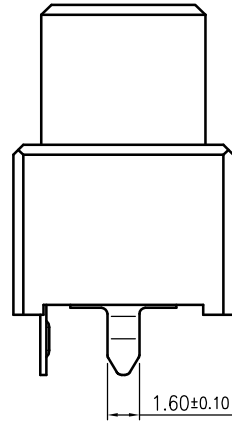
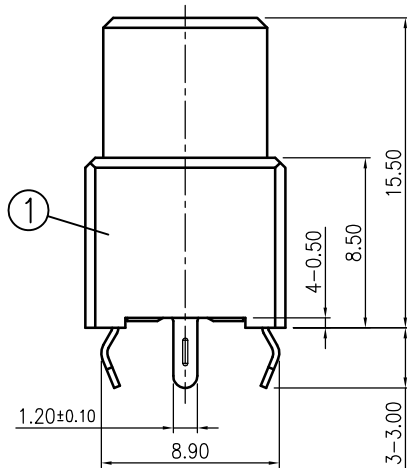
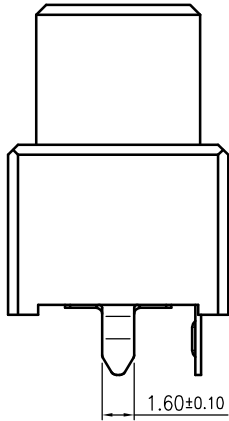
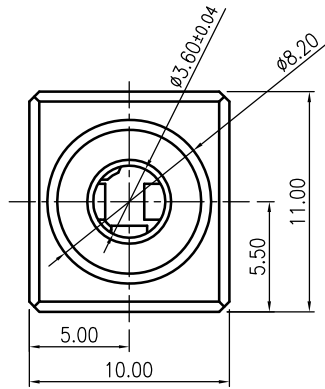
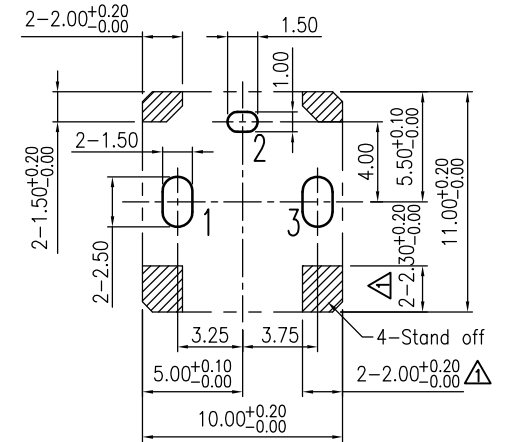


REVISIONS

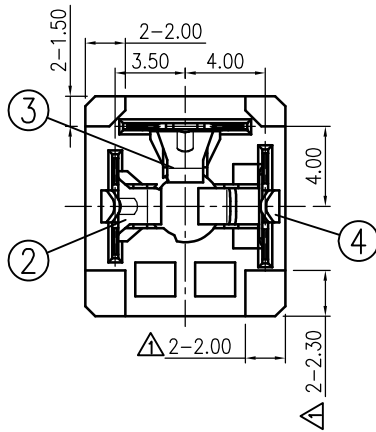
LTR	DESCRIPTION	DATE	REV.	CHKD.	APVD.
	To modify the Dim No. and Cat No. of drawing from A-03503D(003)	2012.06.28	郭素玲	郭遠峰	郭遠峰
△x4	To modify the shape.(ECR No.C03120413)	2012.06.28	郭素玲	郭遠峰	郭遠峰



SCHEMATIC



P.C.B Layout Dimension (Tolerance:±0.05)  
 (Recommend min.Dimension)(Bottom view)  
 - - - - - : Keep Out Area(Top side)



4	TIP SPRING (3)	1	Copper Alloy t=0.30	Please refer color and plating combination list.
3	RING SPRING (2)	1	Copper Alloy t=0.30	
2	GROUND SPRING (1)	1	Copper Alloy t=0.30	
1	HOUSING	1	PBT+GF UL 94V-0	

LTR	PART NAME	Q'TY	MATERIAL	REMARK
120~315	±0.5	DWN	郭素玲	DATE 2012.06.28
30~120	±0.35	DSND	郭素玲	DATE 2009.08.04
6~30	±0.22	CHKD	郭遠峰	DATE 2012.06.28
BELOW 6	±0.16	APVD	郭遠峰	DATE 2012.06.28

DIMENSION	TOLERANCE	KUNMING ELECTRONICS CO.,LTD.			DWN.NO.	1/1
					A-03503DSP	B

SCALE 2.5/1  
 PROJECTION  
 UNIT: mm

NAME  $\phi$ 3.5 MINIATURE JACK  
 CAT. NO.  
 KM03503D\_S\_P\_