

REVISIONS					
LTR	DESCRIPTION	DATE	REV.	CHKD.	APVD.
△x1	取消SEMKO編號	2005.04.28	高翠平	夏正雄	夏正雄
△x1	更正產品VDE編號,參C03090087	2009.05.14	郭益平	陸昌妹	郭遠峰
△x1	To correct the mark of P/N (ECR No. C03100238)	2010.08.18	黃健璋	郭素玲	郭遠峰
△x1	Update the approved standard(ECR C03140514)	2014.04.24	黃健璋	郭素玲	郭遠峰

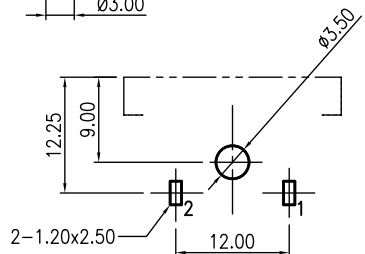
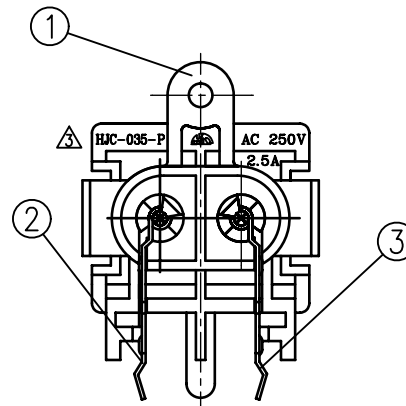
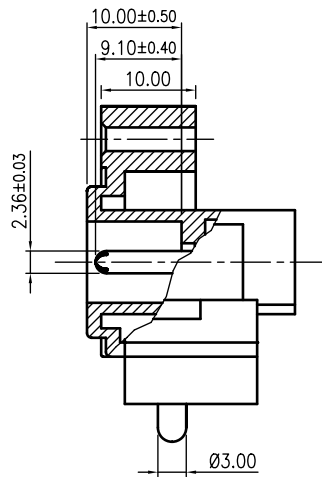
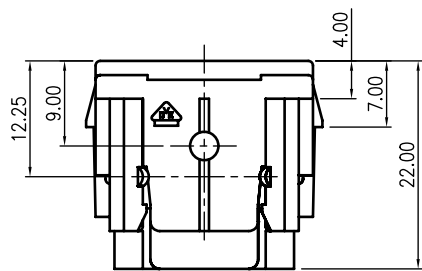
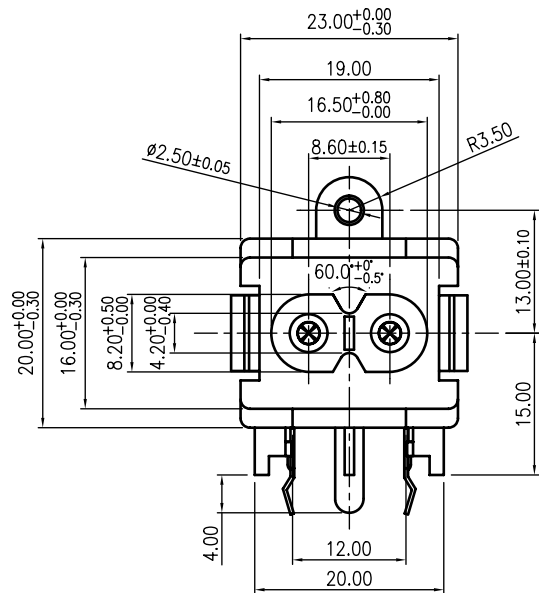
A

B

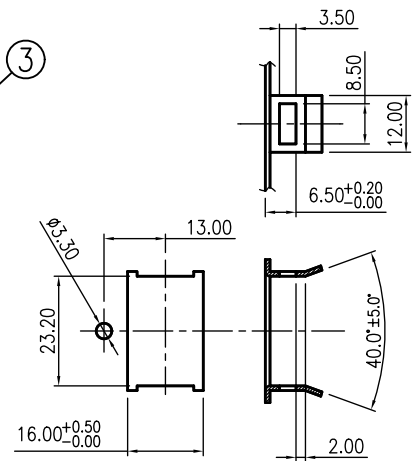
C

D

E



PCB Layout Dimension (Tolerance: ±0.10)
(Recommend min. Dimension)(Bottom View)



PANEL SCALE 1:2
REFERENCE DRAWING
(TOLERANCE: ±0.1)

△△Approved Standard: VDE Certificate No.40013743

3	PIN-2(2)	1	C2680R t=0.40	MBCu2μm-Sn3μm
2	PIN-1(1)	1	C2680R t=0.40	MBCu2μm-Sn3μm
1	HOUSING	1	PPO(N300) UL 94V-0	Black

LTR	PART NAME	Q'TY	MATERIAL	REMARK
120~315	±0.50	DWN	鍾昌明	DATE 2005.04.28
30~120	±0.35	DSND	蘇建源	DATE 1999.04.17
6~30	±0.22	CHKD	夏正雄	DATE 2005.04.28
BELOW 6	±0.16	APVD	楊仲民	DATE 2005.04.28

DIMENSION	TOLERANCE	KUNMING ELECTRONICS CO.,LTD.			DWN.NO.	1/1
					A-035-P	E

UNLESS OTHERWISE SPECIFIED, TOLERANCE ON DECIMAL: ±0.30 ANGLES: ±5°

SONY specifies the raw material is SS-00259 the latest version of document requests, and purchased from the SONY specified raw materials suppliers.