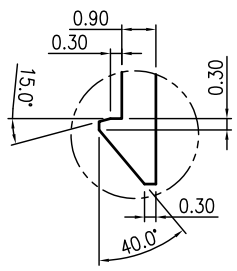
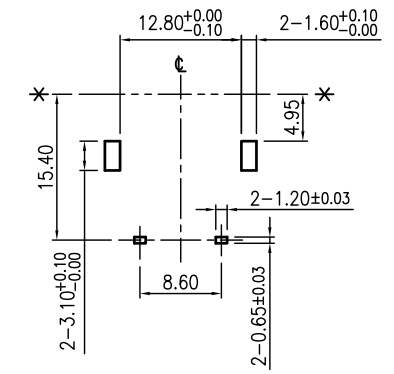
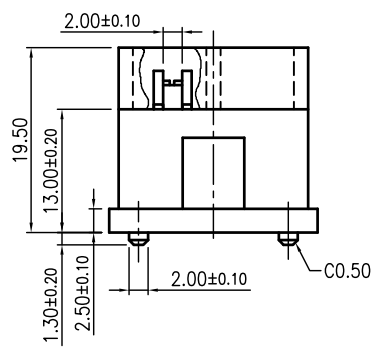


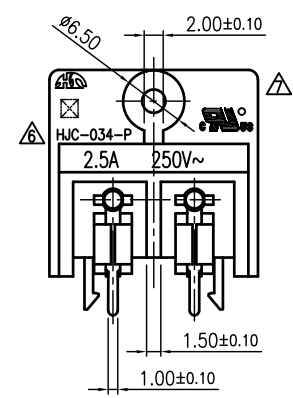
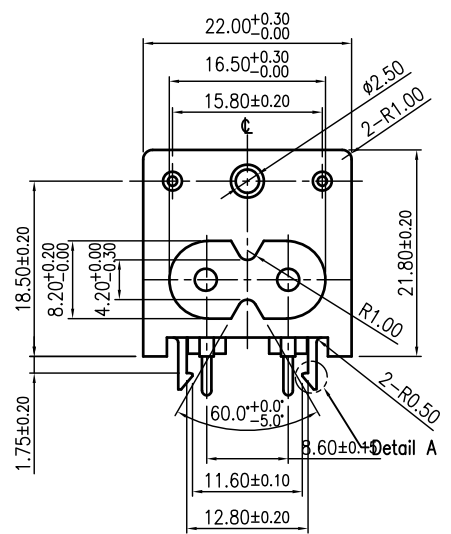
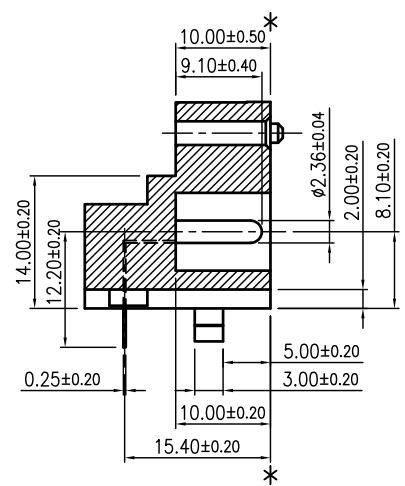
REVISIONS					
LTR	DESCRIPTION	DATE	REV.	CHKD.	APVD.
△x1	To change the mark of housing (ECR C03150547)	2015.07.10	陳衛兵	張啟濤	陳宗碧
△x2	Cancel the VDE mark (VDE Reference No. ECR C03190596)	2019.06.28	李阮龍	李阮龍	郭遠峰



Detail A  
Scale:4:1



PCB Layout Dimension (Tolerance:±0.10)  
(Recommend min. Dimension)(Bottom View)



△Note:  
Approved Standard:UL&cUL FILE NO.E95834

2	PIN	2	C2680R-H t=0.25	
1	HOUSING	1	NYLON66+15%GF(NAN YA 6410G3)UL 94V-0	
LTR	PART NAME	Q'TY	MATERIAL	REMARK
120~315	±0.50	DWN	鄭伍豐	DATE 2007.12.21
30~120	±0.35	DSND	劉怡廷	DATE 1998.05.19
6~30	±0.22	CHKD	夏正雄	DATE 2007.12.21
BELOW 6	±0.16	APVD	郭遠峰	DATE 2007.12.21
DIMENSION	TOLERANCE	KUNMING ELECTRONICS CO.,LTD.		SCALE 1.25/1
				PROJECTION
				UNIT:mm
				NAME AC POWER SOCKET
				CAT. NO. HJC-034-P
				DWN.NO. A-034-P
				1/1 H-001

UNLESS OTHERWISE SPECIFIED, TOLERANCE ON DECIMAL:±0.30 ANGLES:±5°

The raw material specified by Sony should meet SS-00259 requirement of the latest version. When such material is used, it should be supplied by Sony designated suppliers.