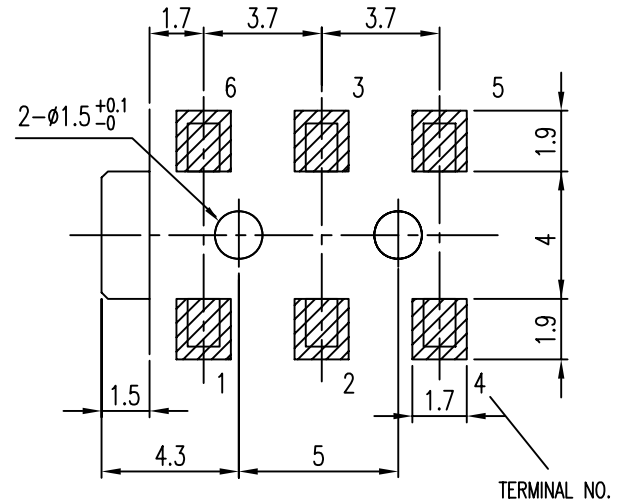
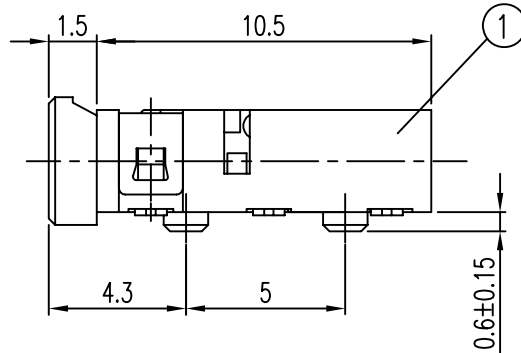
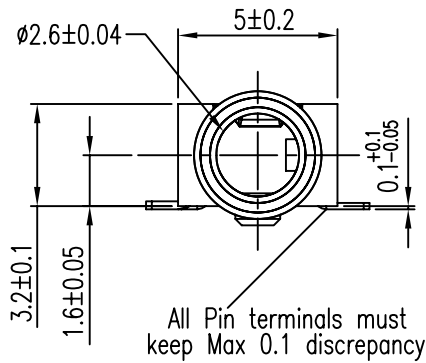
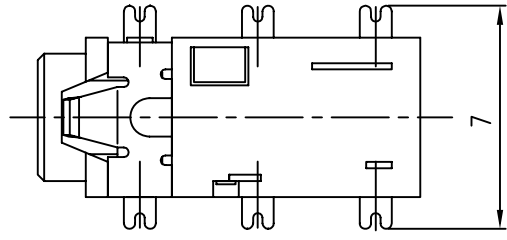
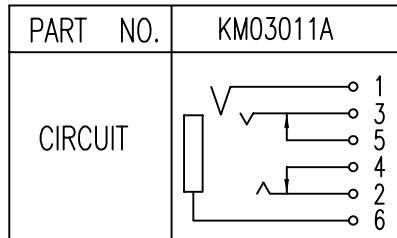
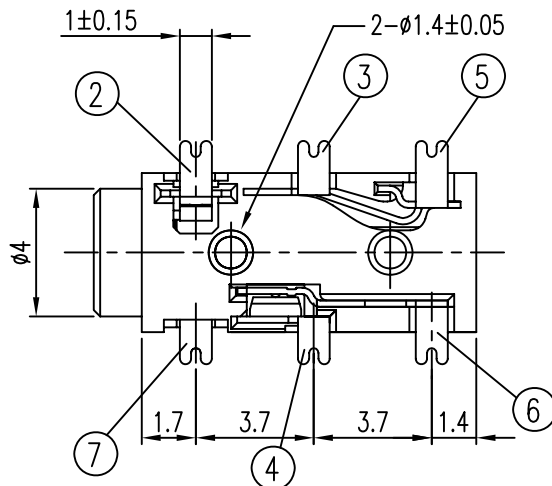


REVISIONS				
LTR	DESCRIPTION	DATE	REVISED	APPROVED



P.C.B Layout Dimension(Tolerance:±0.1)
(Recommend min.Dimension)(top view)



7	RING SPRING	1	C5210, t=0.2 (6)	MB: Ni Au PLATED
6	BREAK TERMINAL	1	C2680, t=0.2 (5)	MB: Ni Au PLATED
5	BREAK TERMINAL	1	C2680, t=0.2 (4)	MB: Ni Au PLATED
4	TRANSFER SPRING	1	Ti-Cu, t=0.2 (3)	MB: Ni Au PLATED
3	TIP SPRING	1	Ti-Cu, t=0.2 (2)	MB: Ni Au PLATED
2	EARTH SPRING	1	Ti-Cu, t=0.2 (1)	MB: Ni Au PLATED
1	HOUSING	1	PA9T BLACK	UL-94V-0

LTR	PART NAME	QTY	MATERIAL(THICK,COLOR)	REMARK
DWN	LORNA	DATE	2007.04.05	SCALE /
DSND	F.Q.H	DATE	2006.10.12	PROJECTION
CHKD	BILL	DATE	2007.04.05	UNIT: mm
APVD	BILL	DATE	2007.04.05	NAME

KUNMING ELECTRONICS CO.,LTD.

DWN.NO. A-03011ABGS1-T
1/1
A

UNLESS OTHERWISE SPECIFIED, TOLERANCE ON DECIMAL: ±0.3 ANGLES: ±5°