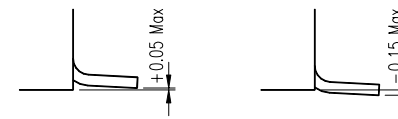
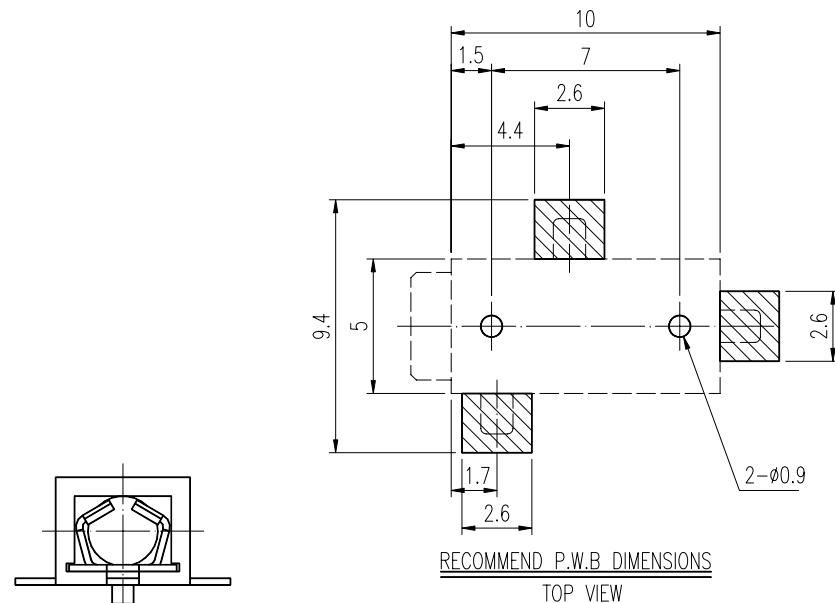


UNLESS OTHERWISE SPECIFIED, TOLERANCE ON DECIMAL:±0.3: ANGLES:±5°

REVISIONS

LTR	DESCRIPTION	DATE	REVISED	APPROVED
△x2	統一SMT標準,顏色及電鍍層參照顏色料號圖	2003.11.25	CHILLPON	KUNG



All Pin terminals must keep Max 0.1 discrepancy

△ COPLANARITY TOLERANCE

3	TIP SPRING	1	C5210 t=0.25	△Please refer color combination list.	
2	CONTACT	2	C5210 t=0.2		
1	HOUSING	1	PA9T (BLACK)		
LTR	PART NAME	QTY	MATERIAL	REMARK	
DSND	ALEX	DATE	2000.07.04	3RD ANGLE PROJECTION NAME φ2.5 MINIATURE JACK CAT. No. KM03002D	
DWN	CHILLPON	DATE	2003.11.25		
CHKD	ALEX	DATE	2003.11.25		
APVD	KUNG	DATE	2003.11.25		
UNIT : mm				DWN. No. A-03002D	1/1
KUNMING ELECTRONICS CO., LTD.					B