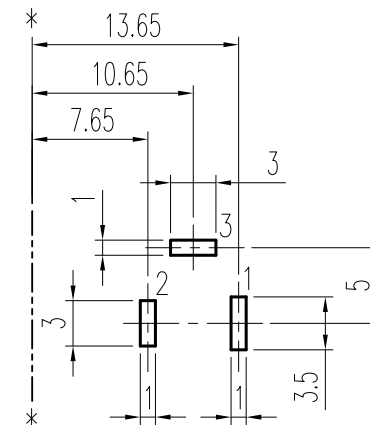
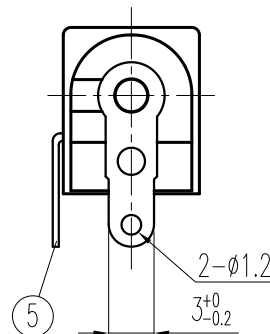
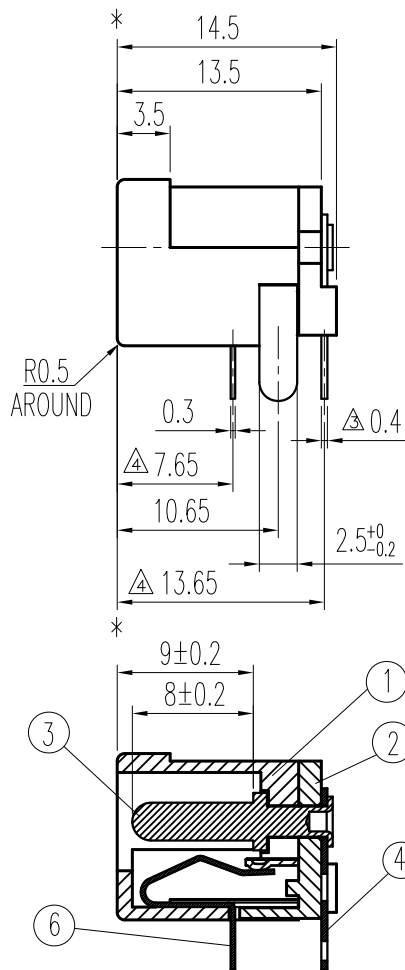


MATE PLUG

MODEL NO.	HTJ-020-04D
DIMENSION D	$\phi 2.5^{+0}_{-0.1}$
SCHMATIC	



P.C.B Layout Dimension (Tolerance:±0.1)
(Recommend min.Dimension)(bottom view)

REVISIONS					
LTR	DESCRIPTION	DATE	REV.	CHKD.	APVD.
△ x 2	材質變更 POM => PBT+GF	2006.11.02	楊志斌		劉望全
△ x 1	To revise the drawing by official letter.(C803001)	2010.12.08	郭益平	陸昌妹	郭素玲
△ x 2	Change thickness of the terminal(ECR No.C03100278)	2010.12.08	郭益平	陸昌妹	郭素玲
△ x 2	To add dimensions of the terminal(ECR No.C03100278)	2010.12.08	郭益平	陸昌妹	郭素玲

LTR	PART NAME	Q'TY	MATERIAL	REMARK
6	TIP SPRING (2)	1	COPPER ALLOY , t=0.3	Please refer color and plating combination list.
5	BREAK TERMINAL (3)	1	BRASS , t=0.4	
4	TERMINAL (1)	1	BRASS , t=0.4 △	
3	PIN	1	COPPER	
2	COVER	1	PBT+GF △ UL 94V-0	
1	HOUSING	1	PBT+GF △ UL 94V-0	

DIMENSION	TOLERANCE	LTR	PART NAME	DATE	Q'TY	MATERIAL	REMARK	
120~315	±0.5	DWN	楊志斌	2006.11.02	SCALE	N/A	NAME DC POWER JACK CAT. NO. HTJ-020-04D_	
30~120	±0.35	DSND	馮靜薇	1992.09.05	PROJECTION			
6~30	±0.22	CHKD	陸昌妹/劉望全	2006.11.03				
BELOW 6	±0.16	APVD	夏正雄	2006.11.09	UNIT: mm			
KUNMING ELECTRONICS CO.,LTD.							DWN.NO. A-02004D	1/1 C

UNLESS OTHERWISE SPECIFIED, TOLERANCE ON DECIMAL: ±0.3 ANGLES: ±5°